

PARTS CATALOG

**TRAVELMASTER™
OVERHEAD PROJECTOR**

MODEL 1707



**GENERAL SERVICE DEPT.
7100 MCCORMICK ROAD
CHICAGO, ILLINOIS 60645**

**©1984 BELL & HOWELL COMPANY
ALL RIGHTS RESERVED**

PART NO. 74434

PRINTED IN U.S.A.

MARCH 1984

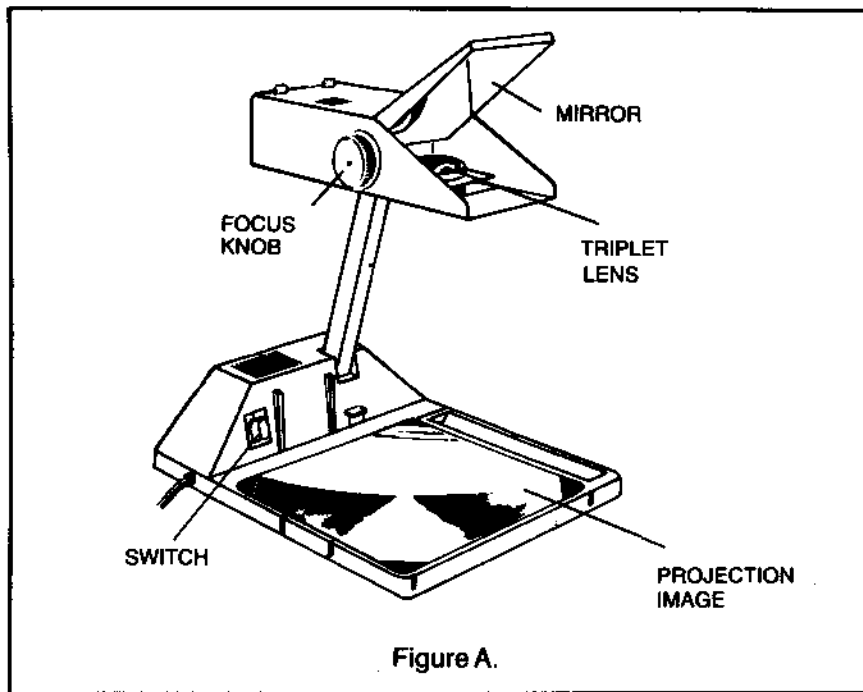


Figure A.

TRAVEL MASTER™ OVERHEAD PROJECTOR

FEATURE DESCRIPTION LIST AND SPECIFICATIONS

Supply Voltage	120 VAC \pm 10%
Frequency Range	60 Hz
Light Output	2100 Lumens
Lens Focal Length	300 MM Triplet
Projection Distance	5 Ft. Min - 8 Ft. Max.
Lamp Data	24V, 250W Tungsten Halogen—EHJ (A1/223) 50 Hr. Avg. Life
Transparency Format	11.5 \times 11.5 inches
Picture Size	80 \times 80 inches maximum 50 \times 50 inches minimum
Focus System	Rack & Pinion
Cooling	Fan Cooled Head
Power Cord	3 wire grounded, approx. 15 Ft., Cord wrap under projection stage.
Weight	20.5 lbs.
Width	13 3/4 inches
Depth	17 inches
Height, Operating	17 3/4 inches
Height, Folded	4 3/4 inches with head and post folded.

INTRODUCTION

The following pages illustrate and list, by part number and description, all replacement parts for Model 1707 Overhead Projector. Parts are indexed and listed in a suggested order of disassembly to assist in repair and replacement procedures.

Fig. & Index No.	Part No.	Description							Units Per Assy
		1	2	3	4	5	6	7	
HEAD ASSEMBLY, PROJECTOR									
1-1	715461	• SCREW, Shoulder							2
1-2	715462	• WASHER, Flat							2
1-2A	715463	• WASHER, Bowed							2
1-3	715450	• MIRROR HOLDER ASSY							1
1-4	715451	• • HOLDER							1
1-5	715452	• • MIRROR							1
1-6	715464	• SCREW, Phillips M 4 x 8 (DIN 7985SW)							3
1-7	715465	• COVER, Mirror Hood							1
1-8	715456	• SCREW, Phillips M 4 x 8 (DIN 7985)							3
1-9	715453	• NUT, HEX. M3(DIN 934)							3
1-10	715454	• LENS, Triplet F-300MM							1
1-11	715455	• HOLDER, Triplet Lens							1
1-12	715469	• RACK, Gear							2
1-13	715479	• SCREW, Phillips, Tapping M 3 x 8 (DIN 7986)							2
1-14	715466	• FAN, Wheel							1
1-15	715467	• SCREW, Phillips, M 3 x 25 (DIN 7985)							2
1-16	715474	• MOTOR, 24 Volt, Split Pole							1
1-17	715475	• BRACKET, Motor							1
1-18	715318	• SCREW (for Baffle on Stop Level, Item 37)							1
1-19	715319	• BAFFLE, Fan, Small							1
1-20	715320	• SCREW (for Baffle on Head Housing Bracket, Item 39)							1
1-21	715321	• BAFFLE, Fan, Large							1
1-22	715472	• PIN, Hinge Reflector Bracket (Item 33)							1
1-23	715479	• SCREW, Phillips, Tapping M 3 x 8 (DIN 7986)							2
1-24	715484	• WASHER, Flat 3.2/I.D., 7.0/O.D., .5 Thick							2
1-25	715486	• SOCKET, Lamp							1
1-26	715488	• SCREW, Phillips, Tapping 2.9 X 6.5 (DIN 7986)							2
1-27	715483	• CLIP, Lens							2
1-28	715485	• LENS, Aspherical							1
1-29	715487	• LENS HOLDER							1
1-30	715468	• SCREW, Phillips, Mach. M 4 x 16 (DIN 7985)							1
1-31	715478	• SPRING, Compression							1
1-32	715800	• SCREW, (Reflector Bracket)							4
1-33	715482	• BRACKET, Reflector							1
1-34	715481	• REFLECTOR							1
1-35	715480	• LAMPHOUSING							1
1-36	715322	• SCREW (Head Locking)							2
1-37	715476	• STOP LEVER							1
1-38	715323	• SPRING, Stop Lever							1
1-39	715475	• BRACKET, Head Housing							1
1-40	715324	• PIN, Stop							1
1-41	715333	• SCREWS, (Stop Support Bracket)							2
1-42	715334	• BRACKET, Stop Support							1
1-43	715801	• E RING, Focus Shaft							1
1-44	715471	• GEAR, Bushing							2
1-45	715470	• KNOB, Focus Control							1

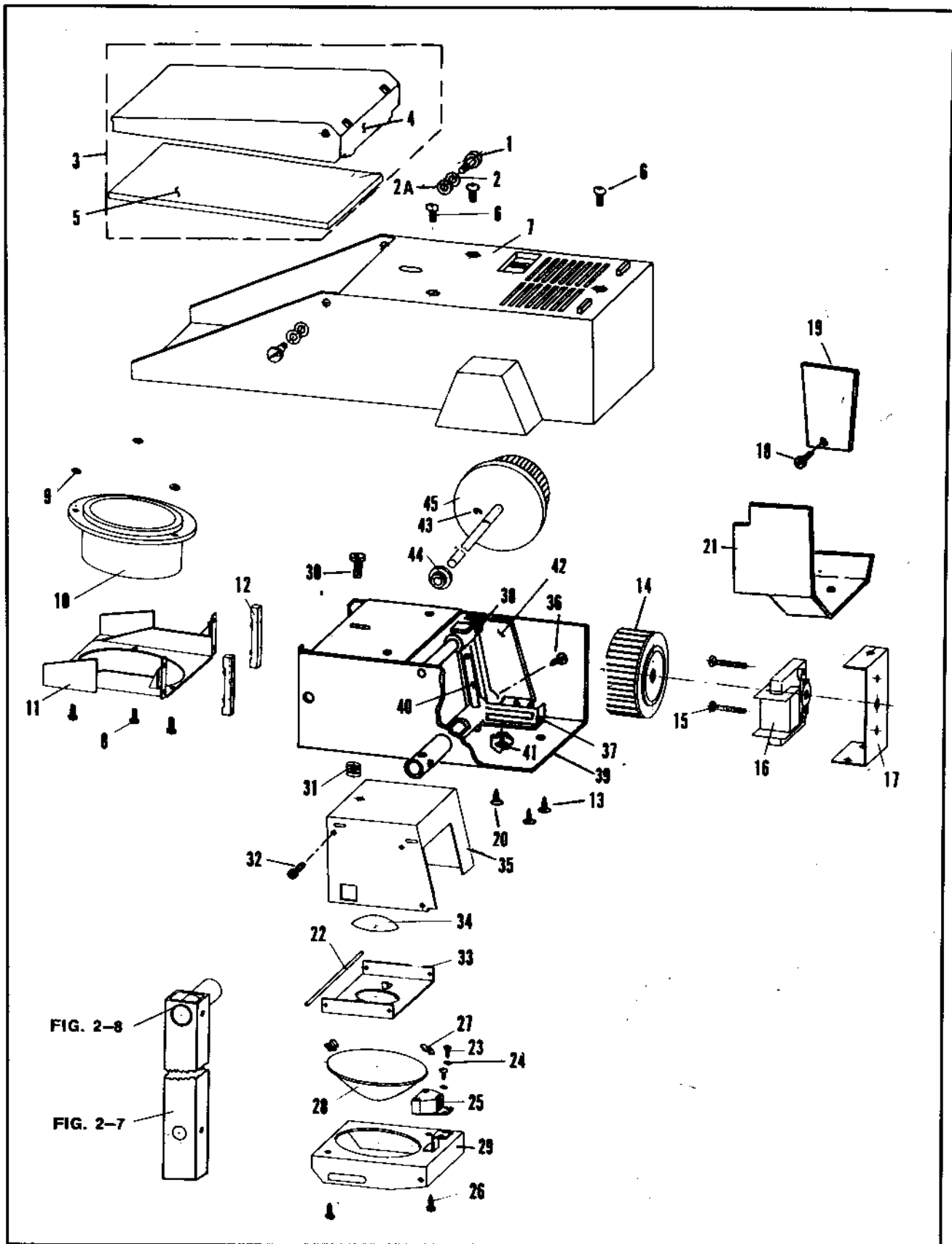


Figure 1. Head Assembly, Projector

Fig. & Index No.	Part No.	Description							Units Per Assy
		1	2	3	4	5	6	7	

BASE & SUPPORT POST ASSEMBLY

2-1	715473	• SCREW, Phillips Tapping M3 x 8 (DIN 7986)							3
2-2	715460	• COVER, Transformer							1
2-3	715489	• SWITCH, On-Off							1
2-4	715335	• ROLL PINS (Support Post)							2
2-5	715336	• GRIP RING (Support Post)							2
2-6	715337	• HINGE PIN, Hollow (Support Post)							1
2-7	715458	• POST, Support							1
2-8	715457	• SHAFT, Support							1
2-9	715338	• SCREW (Locking Bar)							2
2-10	715339	• LOCKING BAR							1
2-11	715446	• SCREW, Phillips M5 x 50(DIN 7985)							4
2-12	715447	• WASHER, Lock (Serrated)							4
2-13	715448	• TRANSFORMER							1
2-14	715326	• FUSE HOLDER							1
2-15	715329	• CAP, Fuse Holder							1
2-16	715327	• FUSE, 4 AMP 3AG							1
2-17	715494	• NUT, Locking NM6 (DIN 980)							1
2-18	715497	• LEVER, Release							1
2-19	715437	• SPACER							1
2-20	715438	• SCREW, Hex. machine M6 x 16 (DIN 933)							1
2-21	715488	• SCREW, Tapping B2.9 x 6.5 (DIN 7981)							1
2-22	715496	• SPRING, Flat, Release Lever							1
2-23	715490	• SCREW, Phillips Mach. M 4 x 6 (DIN 7986)							2
2-24	715491	• SCREW, Phillips, Mach. M 4 x 16 (DIN 7986)							4
2-25	715340	• WASHER, Internal Lock							6
2-26	715449	• BASE, Support Post							1
2-27	715330	• SPACER							4
2-28	715341	• GRILLE, Ventilation							1
2-29	715440	• FRESNEL, Reflecting							1
2-30	715441	• TAPE, Pats, Double Stick Adhesive							4
2-31	715325	• TAPE, Double Stick Adhesive							5
2-32	715439	• SCREW, Phillips Mach. M4 x 10 (DIN 7986)							2
2-33	715328	• COVER, Electrical Connection							1
2-34	715342	• GROMMET, Power Cord							1
2-35	715343	• SCREW (Power Cord Clamp)							2
2-36	715344	• CLAMP, Power Cord							1
2-37	715331	• POWER CORD (3 Wire)							1
2-38	715345	• SCREW (Connector)							2
2-39	715346	• CONNECTOR, 6 Contact							1
2-40	715347	• INSULATOR							1
2-41	715348	• SCREW (Power Cord Retainer Clip)							4
2-42	715349	• CLIP, Power Cord Retainer							4
2-43	715398	• GRIP RING							2
2-44	715443	• CLIP, Spring							1
2-45	715444	• CLIP, Spring							1
2-46	715493	• WASHER, Grip (Circlip)							2
2-47	715492	• CLIP, Spring							2
2-48	715442	• PIN, Locating							4
2-49	715445	• FOOT							4
2-50	715495	• BASE, Platen Top							1

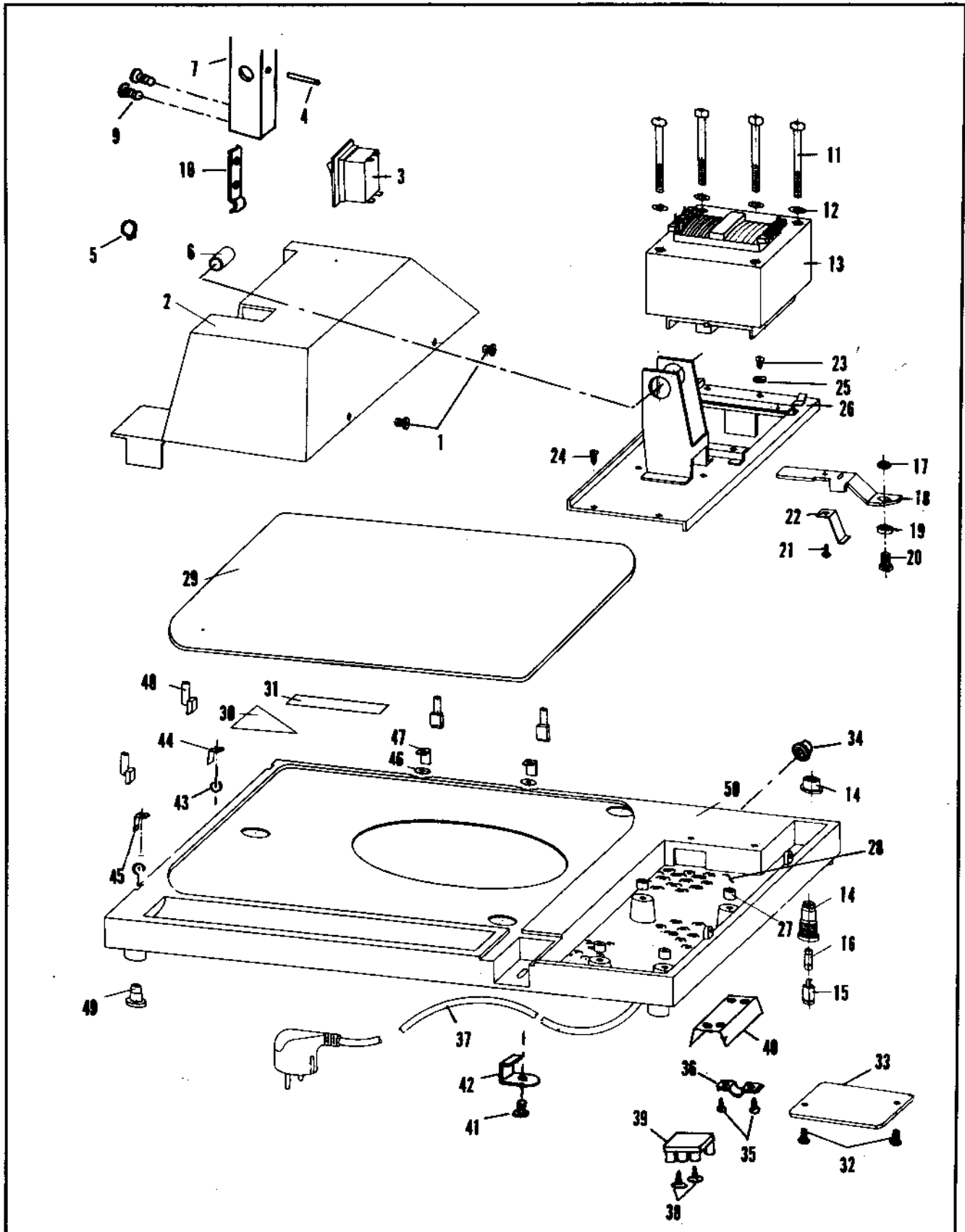
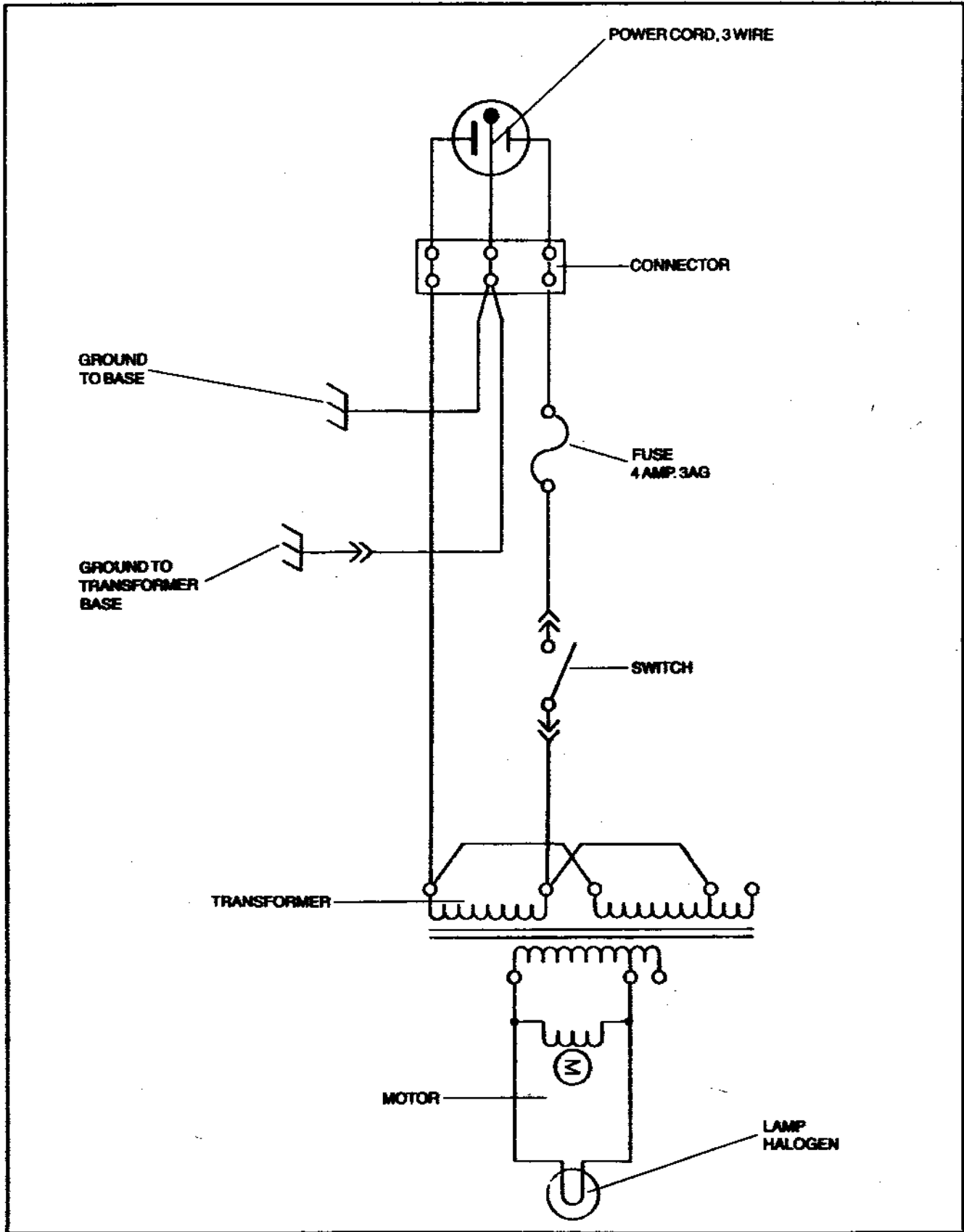


Figure 2. Base and Support Post Assy.



Wiring Diagram for
1707 Overhead Projector

Part No.	Fig. and Index No.	Part No.	Fig. and Index No.
715318	1-18	715457	2-8
715319	1-19	715458	2-7
715320	1-20	715460	2-2
715321	1-21	715461	1-1
715322	1-36	715462	1-2
715323	1-38	715463	1-2A
715324	1-40	715464	1-6
715325	2-31	715465	1-7
715326	2-14	715466	1-14
715327	2-16	715467	1-15
715328	2-33	715468	1-30
715329	2-15	715469	1-12
715330	2-27	715470	1-45
715331	2-37	715471	1-44
715333	1-41	715472	1-22
715334	1-42	715473	2-1
715335	2-4	715474	1-16
715336	2-5	715475	1-17
715337	2-6	715475	1-39
715338	2-9	715476	1-37
715339	2-10	715478	1-31
715340	2-25	715479	1-13
715341	2-28	715479	1-23
715342	2-34	715480	1-35
715343	2-35	715481	1-34
715344	2-36	715482	1-33
715345	2-38	715483	1-27
715346	2-39	715484	1-24
715347	2-40	715485	1-28
715348	2-41	715486	1-25
715349	2-42	715487	1-29
715398	2-43	715488	2-21
715437	2-19	715488	1-26
715438	2-20	715489	2-3
715439	2-32	715490	2-23
715440	2-29	715491	2-24
715441	2-30	715492	2-47
715442	2-48	715493	2-46
715443	2-44	715494	2-17
715444	2-45	715495	2-50
715445	2-49	715496	2-22
715446	2-11	715497	2-18
715447	2-12	715800	1-32
715448	2-13	715801	1-43
715449	2-26		
715450	1-3		
715451	1-4		
715452	1-5		
715453	1-9		
715454	1-10		
715455	1-11		
715456	1-8		