

PARTS CATALOG

THE COMMUTER™ OVERHEAD PROJECTOR

MODEL 1705



**GENERAL SERVICE DEPT.
7100 MCCORMICK ROAD
CHICAGO, ILLINOIS 60645**

**©1984 BELL & HOWELL COMPANY
ALL RIGHTS RESERVED**

PART NO. 74433

PRINTED IN U.S.A.

MARCH 1984

INTRODUCTION

The following pages illustrate and list, by part number and description, all replacement parts for Model 1705 Overhead Projector. Parts are indexed and listed in a suggested order of disassembly to assist in repair and replacement procedures.

Fig. & Index No.	Part No.	Description							Units Per Assy	
		1	2	3	4	5	6	7		
PROJECTOR ASSEMBLY										
1-1	715405	•								1
1-2	715836	• •								1
1-3	715837	• •								1
1-4	715812	•								1
1-5	NPN	•								.NP
1-6	NPN	•								.NP
1-7	711084	•								.2
1-8	715400	•								1
1-9	715834	•								1
1-10	715838	•								1
1-11	NPN	•								.NP
1-12	715404	•								1
1-13	NPN	•								.NP
1-14	715332									1

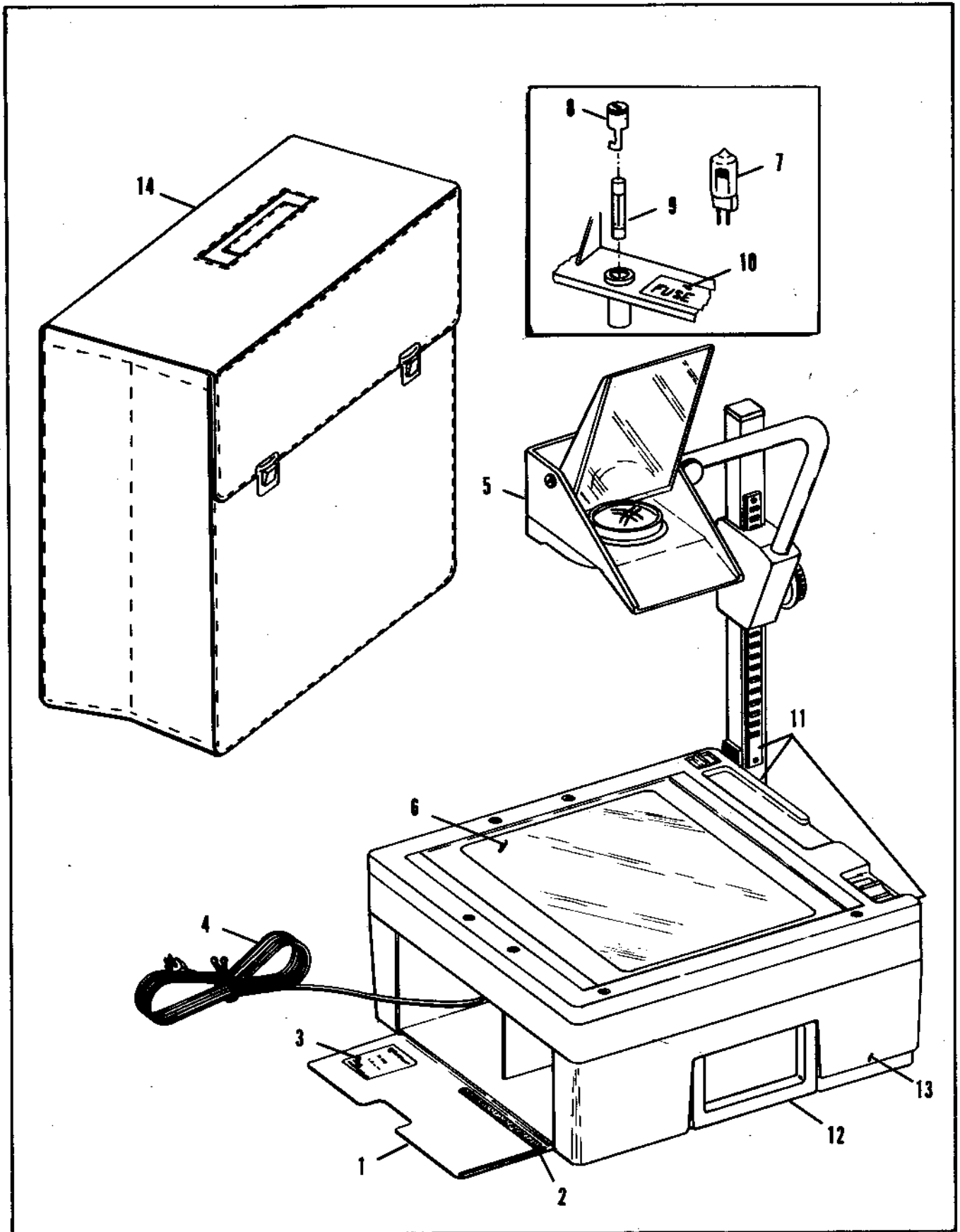


Figure 1. Projector Assembly

Fig. & Index No.	Part No.	Description							Units Per Assy
		1	2	3	4	5	6	7	
• FRAME ASSEMBLY									
2-1	715839	• • SCREW, Phillips Head, Self-Tapping (Transformer Baffle) . . .							2
2-2	715840	• • BAFFLE, Transformer							1
2-3	715841	• • SCREW, Phillips Head, Self-Tapping (Side Baffle)							1
2-4	715842	• • BAFFLE, Side (Fuse/Connector)							1
2-5	715843	• • SCREW, Phillips Head Self Tap. (Platen Mounting)							9
2-6	715844	• • BAR, Slide Support							1
2-7	715845	• • SCREW, Phillips Head, Self Tap 1" (Under Post Slide Lock) . . .							1
2-8	715827	• • FRAME							1
2-9	715823	• • PIN, Actuating - ON/OFF Switch							1
2-10	715401	• • FUSE CARRIER							1
2-11	715846	• • NUT, Hex (Mirror Bracket)							1
2-12	715847	• • SCREW, Flat Head, Slotted							1
2-13	715848	• • BRACKET, Upper Mirror							1
2-14	715849	• • CUSHION, Slotted, Mirror							1
2-15	715850	• • SCREW, Phillips Head, Self Tapping							2
2-16	715851	• • SPACER							2
2-17	715852	• • WASHER, Flat							2
2-18	715853	• • BRACKET, Lower Mirror Mounting							1
	NPN	• • MIRROR AND SUPPORT ASSEMBLY							NP
2-19	715402	• • • MIRROR							1
2-20	715854	• • • TAPE, Double Stick Long							1
2-21	715855	• • • TAPE, Double Stick Short							1
2-22	715856	• • • SCREW, Phillips Head (Support to base)							1
2-23	715814	• • • SUPPORT, Mirror							1
2-24	715416	• • FOOT, Rubber							4

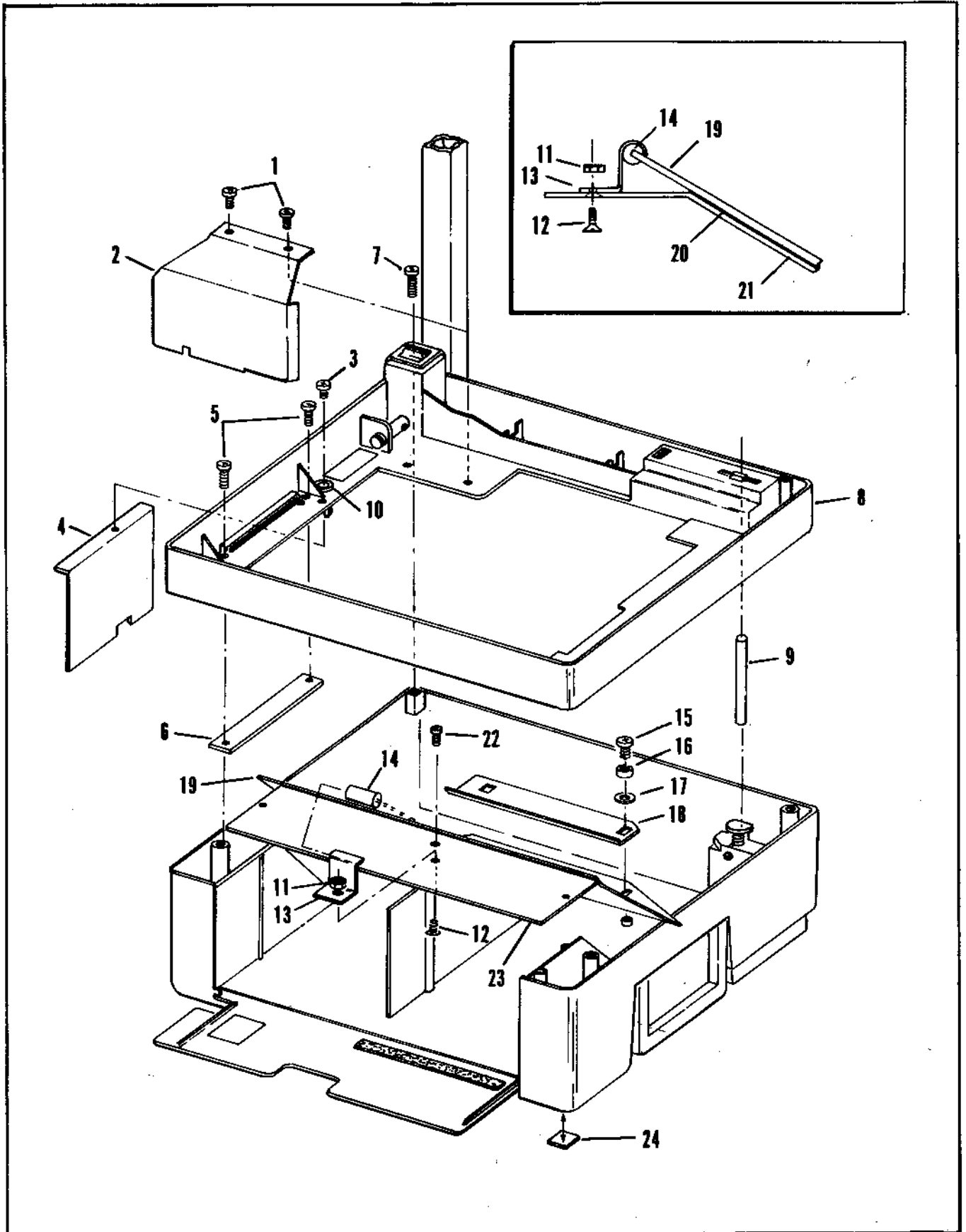


Figure 2. Frame Assembly

Fig. & Index No.	Part No.	Description							Units Per Assy
		1	2	3	4	5	6	7	
PLATEN ASSEMBLY									
3	715824	•	•	•	•	•	•	•	1
3-1	715857	•	•	•	•	•	•	•	2
3-2	715858	•	•	•	•	•	•	•	2
3-3	715859	•	•	•	•	•	•	•	2
3-4	715435	•	•	•	•	•	•	•	4
3-5	715860	•	•	•	•	•	•	•	2
3-6	715861	•	•	•	•	•	•	•	2
3-7	715432	•	•	•	•	•	•	•	1
3-8	715433	•	•	•	•	•	•	•	1
3-9	715412	•	•	•	•	•	•	•	1
3-9A	715863	•	•	•	•	•	•	•	1
3-10	715806	•	•	•	•	•	•	•	1
3-11	715862	•	•	•	•	•	•	•	4
3-12	715805	•	•	•	•	•	•	•	2
3-13	715422	•	•	•	•	•	•	•	1
3-14	715421	•	•	•	•	•	•	•	1
3-15	715803	•	•	•	•	•	•	•	1
3-16	715864	•	•	•	•	•	•	•	1
3-17	715831	•	•	•	•	•	•	•	1
3-18	715424	•	•	•	•	•	•	•	1
3-19	715423	•	•	•	•	•	•	•	1
3-20	715420	•	•	•	•	•	•	•	1
3-21	715865	•	•	•	•	•	•	•	2
3-22	715825	•	•	•	•	•	•	•	1

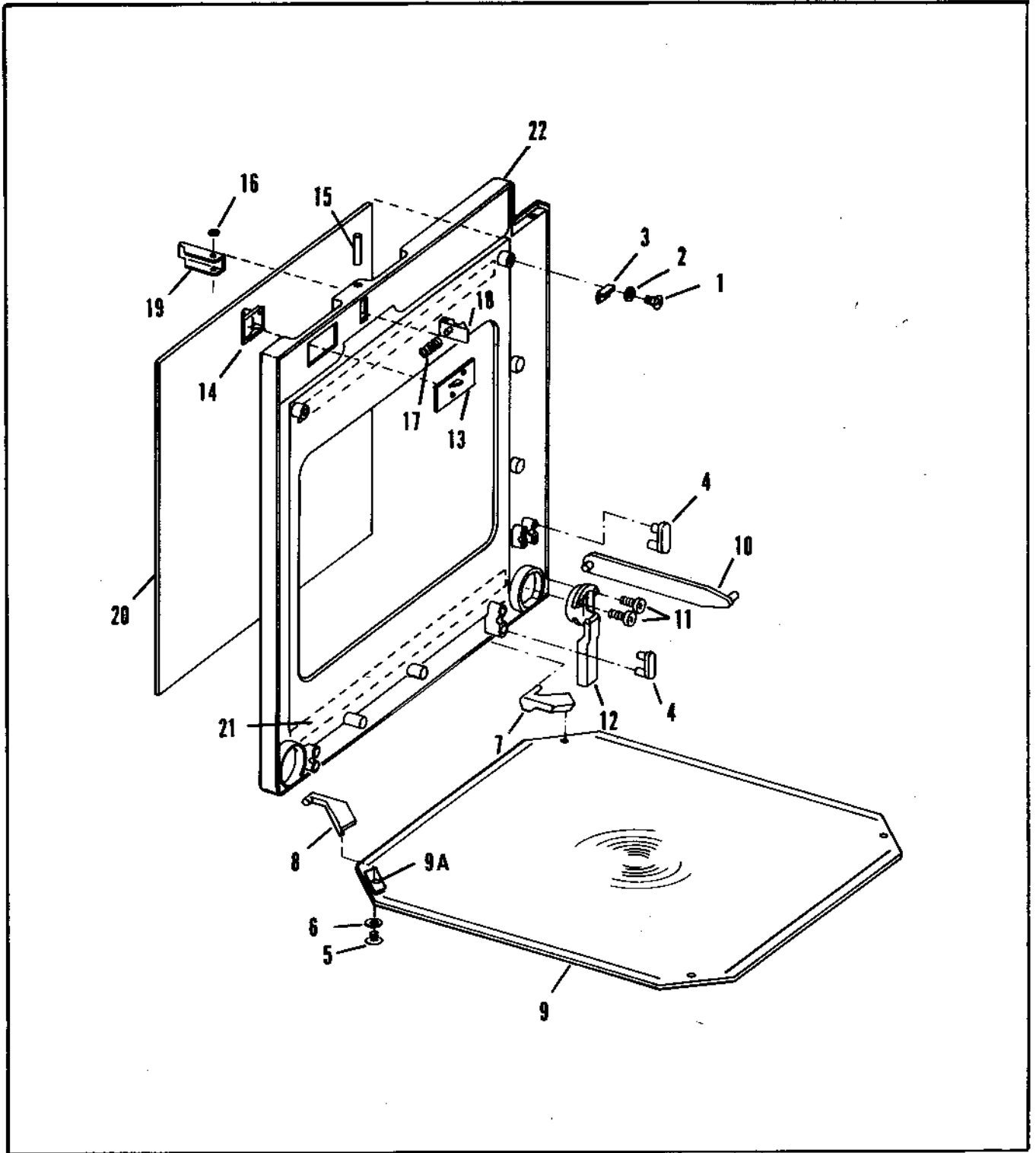


Figure 3. Platen Assembly

Fig. & Index No.	Part No.	Description							Units Per Assy
		1	2	3	4	5	6	7	
• SUPPORT POST & HEAD ASSEMBLY									
4-1	715866	• •							1
4-2	715867	• •							2
4-3	715868	• •							2
4-4	715820	• •							1
	NPN	• •							NP
4-5	715811	• • •							2
4-6	715869	• • •							2
4-7	715870	• • •							1
	NPN	• • •							NP
4-8	715430	• • • •							1
4-9	715821	• • • •							1
4-10	715871	• • • •							3
4-11	715872	• • • •							3
4-12	715454	• • • •							1
4-13	715873	• • • •							1
4-14	715407	• • • •							1
4-15	715808	• • • •							1
4-16	715431	• • • •							1
	NPN	• •							NP
4-17	715874	• • •							2
4-18	715817	• • •							1
4-19	715875	• • •							4
4-20	715807	• • •							1
4-21	715809	• • •							1
4-22	715830	• • •							1
4-23	715826	• • •							1
4-24	715829	• • •							1
4-25	715876	• • •							1
4-26	715434	• • •							1
4-27	715810	• • •							1
4-28	715877	• • •							2
4-29	715417	• • •							1
4-30	715418	• • •							1
4-31	715815	• • •							1
4-32	715878	• • •							1
4-33	715879	• • •							1
4-34	715833	• • •							2
4-35	715822	• • •							2
4-36	715880	• • •							1
4-37	715881	• • •							1
4-38	715882	• • •							1
4-39	715883	• • •							1
4-40	715419	• • •							1
4-41	715884	• • •							2
4-42	715819	• • •							1
4-43	715835	• • •							1
4-44	715818	• • •							1

Fig. & Index No.	Part No.	Description							Units Per Asy
		1	2	3	4	5	6	7	
BASE ASSEMBLY									
5-1	715885	• •	SCREW, Phillips Head (4 Pin Connector)						1
5-2	715886	• •	CONNECTOR, 4 Pin						1
5-3	715887	• •	SCREW, Phillips Head (Clamp)						2
5-4	715888	• •	CLAMP, Line Cord						1
5-5	715889	• •	SCREW, Phillips Head (Transformer Mounting)						4
5-6	715890	• •	BAFFLE, Air						1
5-7	715402	• •	TRANSFORMER, 117V						1
5-8	715891	• •	GRIP RING						1
5-9	715892	• •	SPRING, Extension (Lamp Door)						1
5-10	715408	• •	MOTOR AND FAN ASSEMBLY						1
5-11	715893	• • •	SCREW, Phillips Head						2
5-12	715802	• • •	MOTOR 110V 50Hz						1
5-13	715894	• • •	FAN AND HOUSING						1
5-14	715886	• •	CONNECTOR, 4 Pin						1
5-15	715429	• •	SWITCH, Push Button						1
5-16	715895	• • •	SCREW						1
5-17	715896	• • •	INSULATOR						1
5-18	715897	• •	SCREW, Phillips Head (Lamp House Assembly)						4
5-19	715898	• •	SCREW, Phillips Head (Temp Switch)						2
5-20	715411	• •	SWITCH, Temperature						1
5-21	715816	• •	LAMPHOUSE ASSEMBLY (Shown Exploded)						1
5-22	715899	• • •	PIN Hinges (Caution Lid)						1
5-23	715900	• • •	LID, Lamp Caution						1
5-24	715901	• • •	BAFFLE, Reflector						1
5-25	715410	• • •	REFLECTOR						1
5-26	715902	• • •	SCREW, Phillips Head, S. T. (Condenser Bracket)						1
5-27	715409	• • •	CONDENSER						1
5-28	715903	• • •	BRACKET, Condenser Mounting						1
5-29	715904	• • •	SCREW, Phillips Head S. T.						4
5-30	715905	• • •	WASHER, Flat						4
5-31	715406	• • •	SOCKET AND MOUNTING BRACKET						2
5-32	715906	• • •	GRIP RING						1
5-33	715907	• • •	ROD, Slider						1
5-34	715908	• • •	BRACKET, Spring Loaded						1
5-35	715909	• • •	BRACKET, Lamphouse						1
5-36	715910		SCREW, Phillips Head Machine						2
5-37	715911		NUT, Hex						2
5-38	715428		MICROSWITCH, Lamp						2
5-39	715435		HINGE PLATE, Snap In						2
5-40	715813		LEVER, Actuating						1
5-41	715436		BASE						1

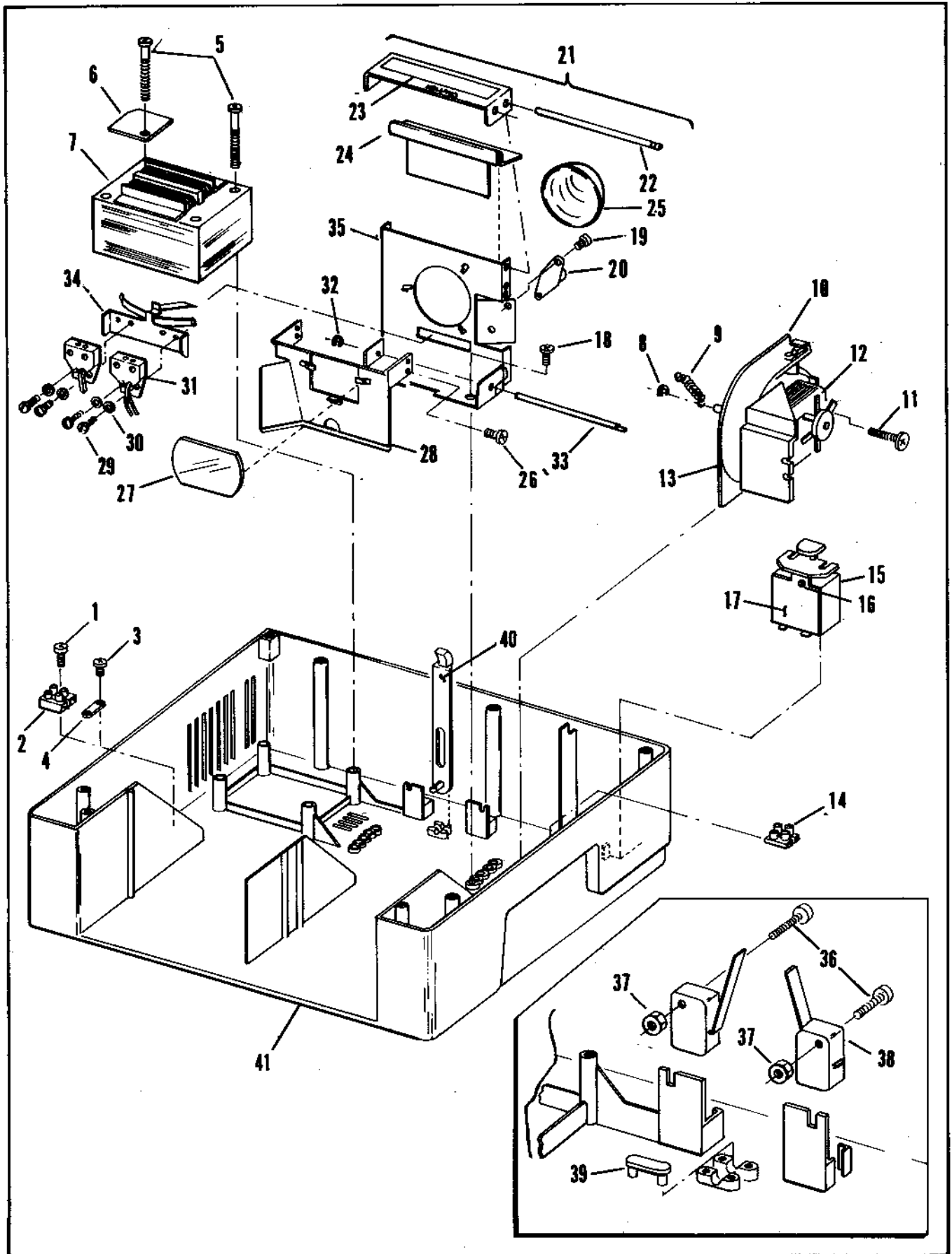
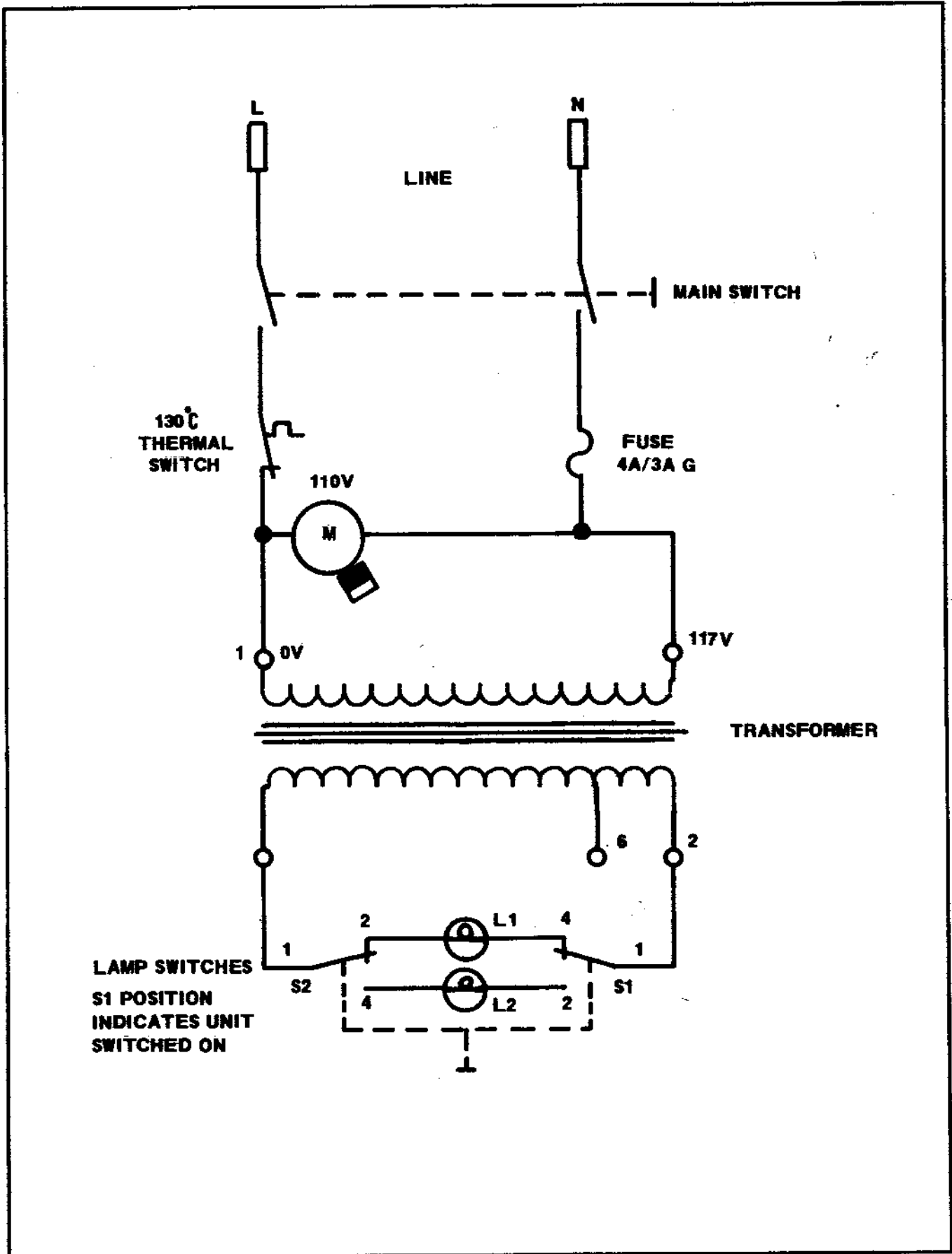


Figure 5. Base Assembly



Wiring Diagram

Part No.	Fig. and Index No.	Part No.	Fig. and Index No.	Part No.	Fig. and Index No.
711084	1-7	715820	4-4	715874	4-17
715332	1-14	715821	4-9	715875	4-19
715400	1-8	715822	4-35	715876	4-25
715401	2-10	715823	2-9	715877	4-28
715402	2-19	715824	3	715878	4-32
715402	5-7	715825	3-22	715879	4-33
715404	1-12	715826	4-23	715880	4-36
715405	1-1	715827	2-8	715881	4-37
715406	5-31	715829	4-24	715882	4-38
715407	4-14	715830	4-22	715883	4-39
715408	5-10	715831	3-17	715884	4-41
715409	5-27	715833	4-34	715885	5-1
715410	5-25	715834	1-9	715886	5-2
715411	5-20	715835	4-43	715886	5-14
715412	3-9	715836	1-2	715887	5-3
715416	2-24	715837	1-3	715888	5-4
715417	4-29	715838	1-10	715889	5-5
715418	4-30	715839	2-1	715890	5-6
715419	4-40	715840	2-2	715891	5-8
715420	3-20	715841	2-3	715892	5-9
715421	3-14	715842	2-4	715893	5-11
715422	3-13	715843	2-5	715894	5-13
715423	3-19	715844	2-6	715895	5-16
715424	3-18	715845	2-7	715896	5-17
715428	5-38	715846	2-11	715897	5-18
715429	5-15	715847	2-12	715898	5-19
715430	4-8	715848	2-13	715899	5-22
715431	4-16	715849	2-14	715900	5-23
715432	3-7	715850	2-15	715901	5-24
715433	3-8	715851	2-16	715902	5-26
715434	4-26	715852	2-17	715903	5-28
715435	3-4	715853	2-18	715904	5-29
715435	5-39	715854	2-20	715905	5-30
715436	5-41	715855	2-21	715906	5-32
715454	4-12	715856	2-22	715907	5-33
715802	5-12	715857	3-1	715908	5-34
715803	3-15	715858	3-2	715909	5-35
715805	3-12	715859	3-3	715910	5-36
715806	3-10	715860	3-5	715911	5-37
715807	4-20	715861	3-6		
715808	4-15	715862	3-11		
715809	4-21	715863	3-9A		
715810	4-27	715864	3-16		
715811	4-5	715865	3-21		
715812	1-4	715866	4-1		
715813	5-40	715867	4-2		
715814	2-23	715868	4-3		
715815	4-31	715869	4-6		
715816	5-21	715870	4-7		
715817	4-18	715871	4-10		
715818	4-44	715872	4-11		
715819	4-42	715873	4-13		