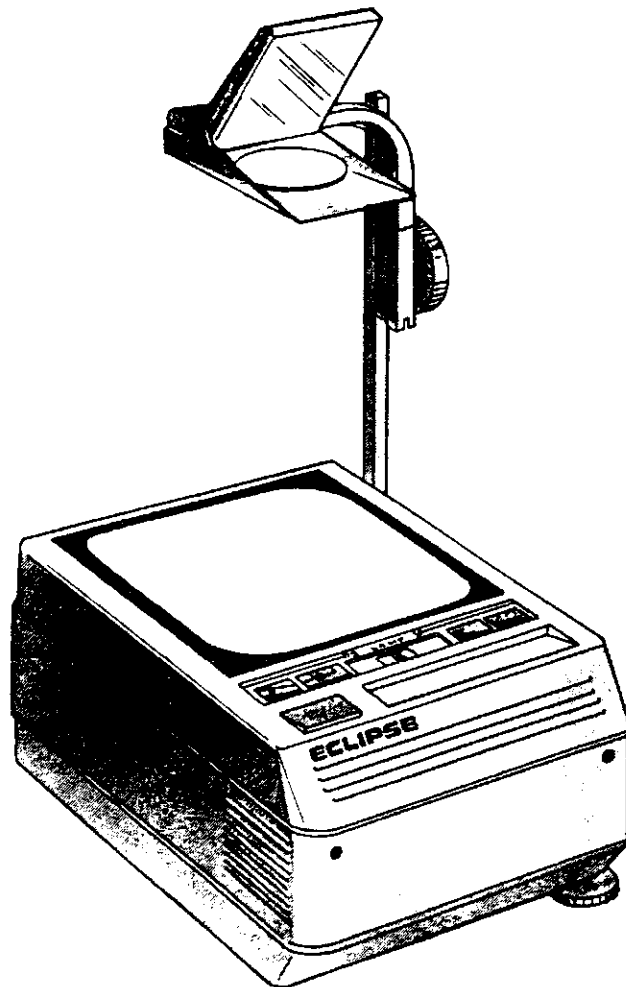


APOLLO ECLIPSE OVERHEAD PROJECTOR SERIES



apollo

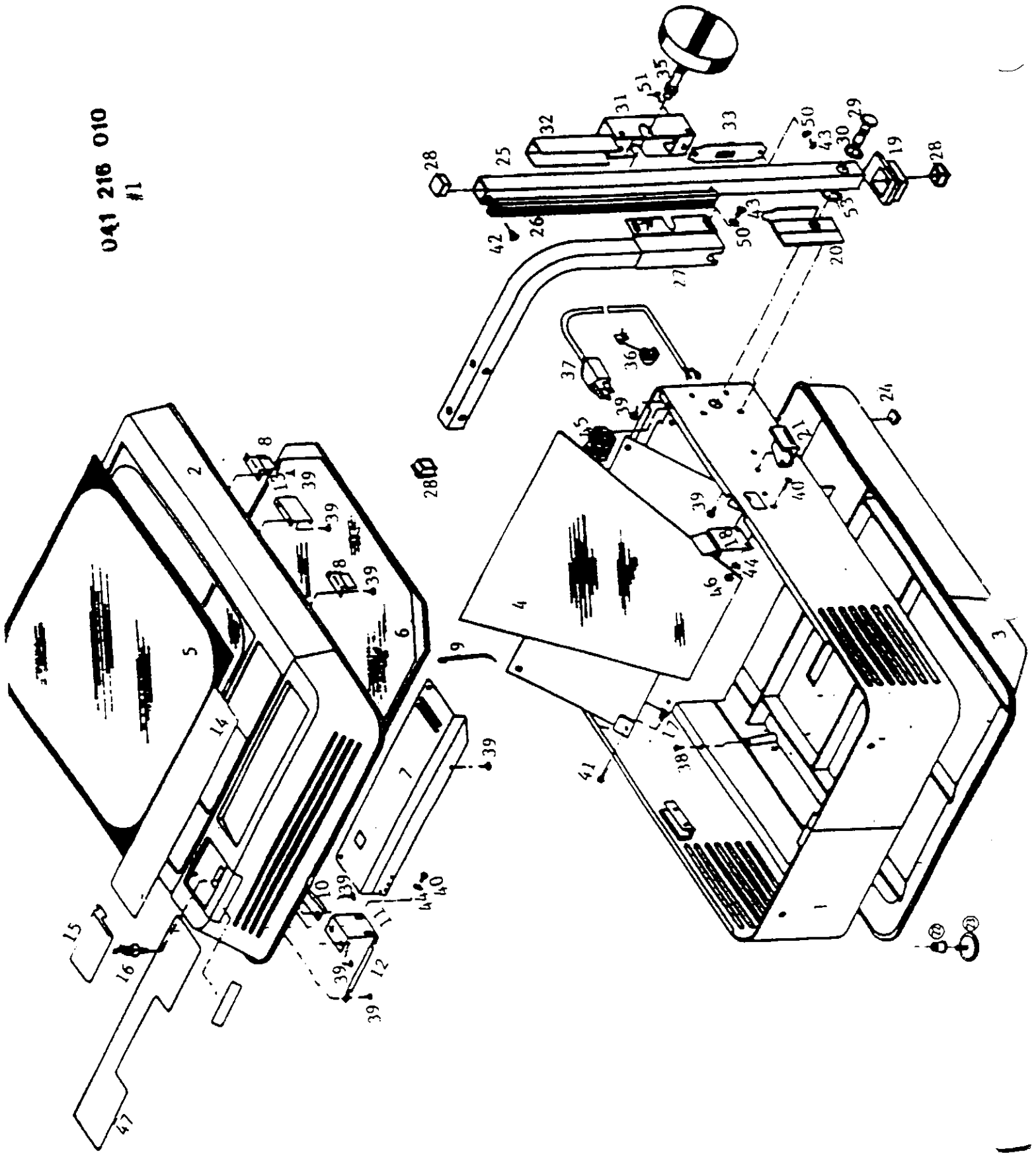
AI2000

Transmissive Overhead Projector

2035 w/ Tripod Lens.

SERVICE MANUAL

041 216 010
#1



041 216 010 PROJECTOR BODY BASIC
 041 216 057 PROJECTOR BODY HI LOW

POS.	PART #	DESCRIPTION	PSC.
1 }	041 216 014	HSE BASIC	1
1 }	041 216 063	HSE HI LOW	1
2	041 116 001	COVER	1
3	041 116 002	BOTTOM	1
4	041 216 008	MIRROR 10 3/8 x 10 1/2	
5	041 116 053	GLASS 10 3/8 MASK	1
6 *	041 116 067	FRESNEL 11 1/4	1
6 *	041 119 066	FRESNEL (3&4 ELEM LENS ONLY)	
7	041 116 039	HEAT PROTECTOR	1
8	041 116 162	FRESNEL LENS TIGHTENER	2
9	631 001 239	CABLE TIGHTER	2
10	041 116 021	FRESNEL LENS HOLDER	1
11	041 116 038	COVER BRK	2
12	041 116 023	HOLDER	1
13	041 116 022	LOCKER	1
14	041 216 015	INSTRUCTION LABEL (BASIC ONLY)	
15	041 116 012	PADDLE SWITCH	1
16	041 216 007	ON OFF MECHANISM	1
17	041 100 518	SPRING	1
18	041 116 030	SPRING	1
19	041 119 010	BLOCKADE	1
20	041 116 008	POST HOLDER	1
21	041 116 011	POST POSITIONER	1
22	041 113 655	NUT M6	1
23	041 235 309	ADJUSTABLE FOOT	1
24	755 409 046	SELF STICKING FOOT 3M	3
25	041 116 029	POST	1
26	041 103 862	PLAN GEAR	1
27	041 216 006	HEAD HOLDER	1
28	041 100 448	CORK PIN	3
29	041 116 047	POST SCREW	1
30	041 116 062	WASHER 10	2
31	041 216 004	CLAMP BRK	1
32	041 100 299	SLIDE LOAD 21/32/21	1
33	041 100 301	SPRING PLATE	1
35	041 116 013	FOCUS KNOB & GEAR	1
36	755 409 080	STRAIN RELIEF	1
37	699 300 801	NETWORK CORD	1
38	091 004 604	SCREW PT KA 3.5	6
39	091 015 123	SCREW A3,9X9,5	23
40	091 021 462	SCREW M3X6	6
41	091 017 634	SCREW M4X20	2
42	091 021 225	SCREW M3X8	2
43	091 018 089	SCREW M4X8P	6
44	091 015 133	WASHER 3	6
45	091 004 791	NUT M8	1
46	091 004 786	NUT M3	2
47	041 216 016	INSTRUCTION LABEL (L C ONLY)	
50	091 021 233	WASHER 4,3X8,5X1	6
53	091 014 389	SCREW KA 30X8	1
54	041 116 226	FASTENER	1
55	900 419 031	HANDLE (PORTABLE ONLY)	

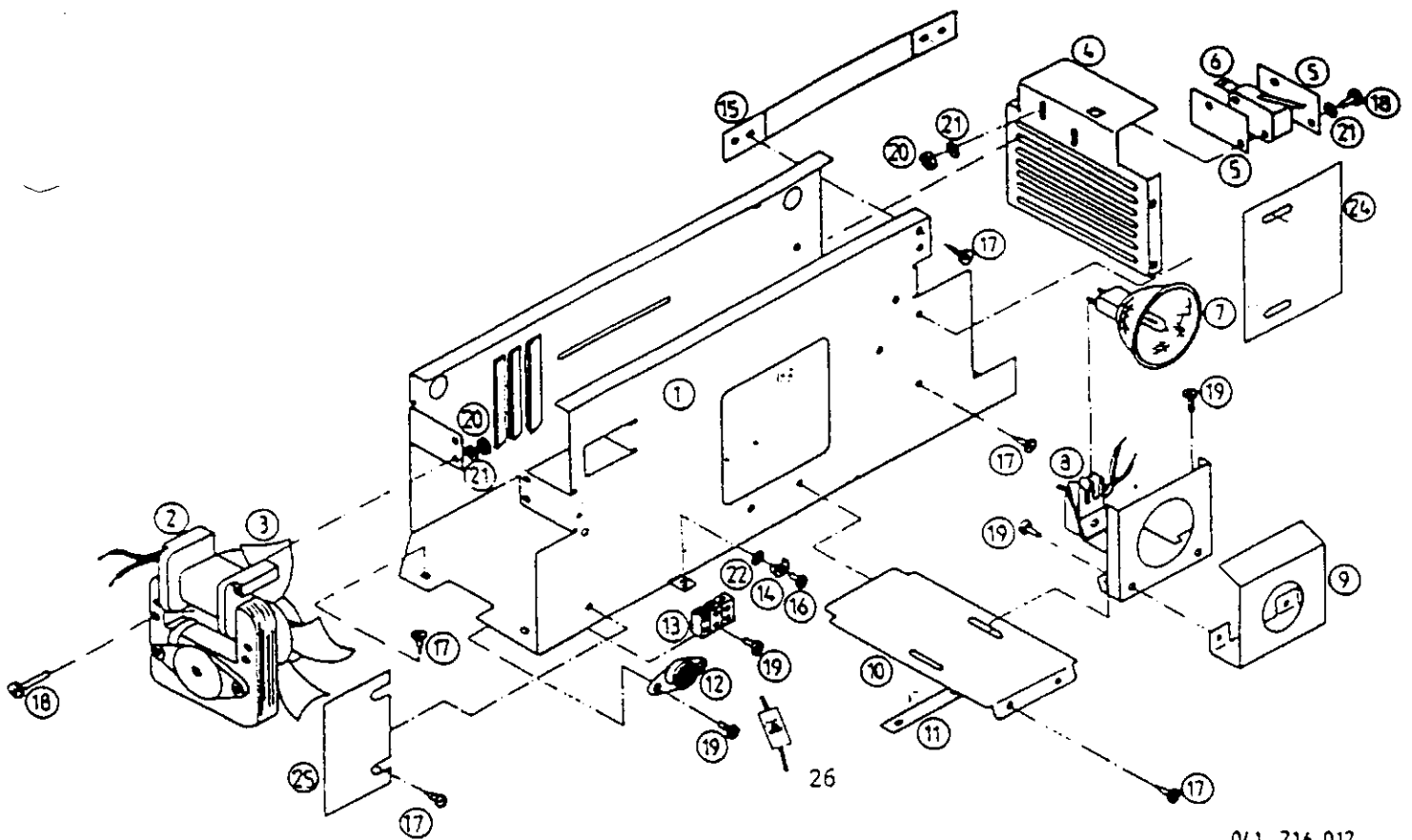
041 216 012 LIGHTENING SYSTEM BASIC

POS.	PART #	DESCRIPTION	PSC.
1	041 216 003	LAMP HSE	1
2	755 409 443	BEVEL MOTOR	1
3	755 409 444	FAN BLADE	1
4	041 116 037	MICROSWITCH BRK	1
5	041 100 105	ISOLATION PLATE	2
6	755 300 683	MICROSWITCH	1
7 }	ENX	LAMP 82v 360w	1
7 }	FXL	LAMP 82v 410w	1
8	755 409 625	LAMP SOCKET	1
9	041 116 040	APERTURE STOP	1
10	041 216 035	LAMP BRK	1
11	041 117 005	PLATE	1
12	755 409 346	THERMOSWITCH 72 C	1
13	094 008 854	TERMINAL BLOCK 6	1
14	037 300 631	EARTH WASHER U	1
15	041 113 930	LIMITATION ELEM	1
16	091 017 144	EARTH SCREW M3,5X9,5	1
17	091 015 142	SCREW A 3,5X9,5	10
18	091 012 913	SCREW M3X18	6
19	091 014 389	SCREW M3X6	7
20	091 004 786	NUT M3	6
21	091 009 969	WASHER A3	6
22	091 015 133	WASHER A3,7	1
23	041 216 024	WIRE FORM BASIC	1
24	041 216 242	BLOCKADE 1	1
25	041 216 243	BLOCKADE 2	1
26	623 003 095	DIODE	1
27	ECO-10AS	suppressor diode	1

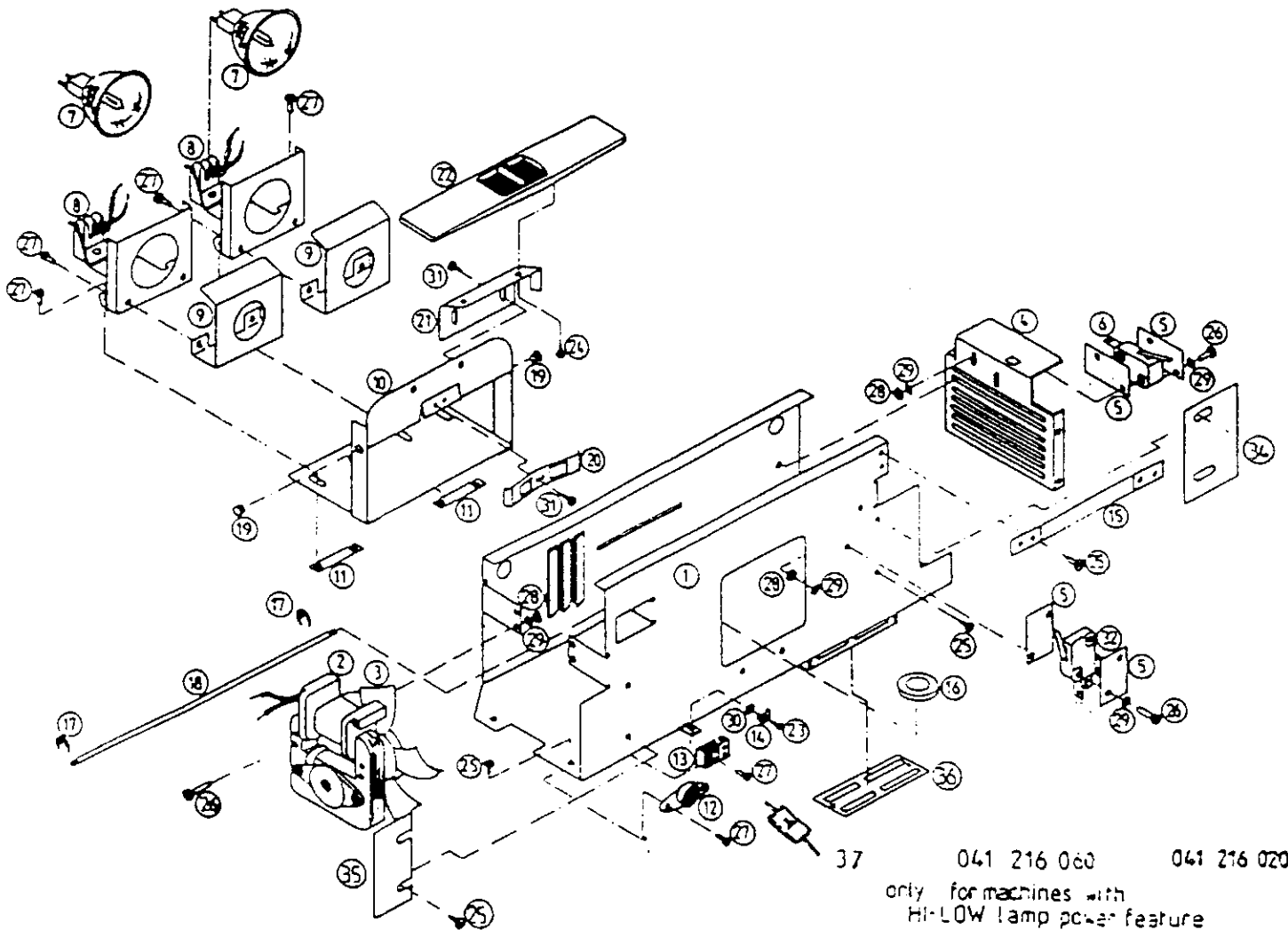
041 216 020 LIGHTENING SYSTEM LAMP CHANGER &

041 216 060 LIGHTENING SYSTEM HI LOW

POS.	PART #	DESCRIPTION	PSC.
1 }	041 216 062	LAMP HSE. HI LOW	1
1 }	041 216 019	LAMP HSE. L C	1
2	755 409 443	MOTOR	1
3	755 409 444	FAN	1
4	041 116 037	MICRO SWITCH BRACKET	1
5	041 100 105	INSULATION PLATE	4
6	755 300 683	MICRO SWITCH	2
7 }	E N X	LAMP 82v 360w	2
7 }	F X L	LAMP 82v 410w	2
8	755 409 625	SOCKET	2
9	041 116 040	APERTURE STOP	2
10	041 216 002	LAMP BRACKET L C	1
11	041 117 005	PLATE	2
12 }	755 402 346	THERMAL 72 L C	1
12 }	755 409 321	THERMAL 90 HI LOW ONLY	1
13	094 008 854	TERMINAL BLOCK 6	1
14	037 300 631	WASHER U	1
15	041 113 930	LIMITATION ELEMENT	1
16	755 409 064	CABLE ENTER	1
17	091 006 921	RETAINING RING 4	2
18	041 116 046	AXLE	1
19	755 409 081	SLIDER NYLINERS	2
20	041 116 026	CHANGER SPRING	1
21	041 116 059	LEVER HOLDER	1
22	041 116 009	LAMP CHANGER LEVER	1
23	091 017 144	EARTHING m3.5x10p	1
24	091 004 604	SCREW A 3.5x6.5	2
25	091 015 142	SCREW A 3.5x9.5	10
26	091 012 913	SCREW M 3x18	8
27	091 014 389	SCREW M 3x6	10
28	091 004 786	NUT M 3	8
29	091 009 969	WASHER A 3	8
30	091 015 133	WASHER A 3.7	1
31	091 014 389	SCREW A 2.9x6.5	4
32	755 300 631	MICRO SWITCH	1
33 }	041 216 028	WIRE FORM L C	1
33 }	041 216 075	WIRE FORM HI LOW **	1
**		COMES WITH RESISTOR AND SWITCH	
34	041 216 242	BLOCKADE 1	1
35	041 216 243	BLOCKADE 2	1
36	041 100 389	RESISTOR COVER HI LOW ONLY	1
37	623 003 095	DIODE	1
38	ECO-10AS	SUPPRESSOR DIODE	1



041 216 012



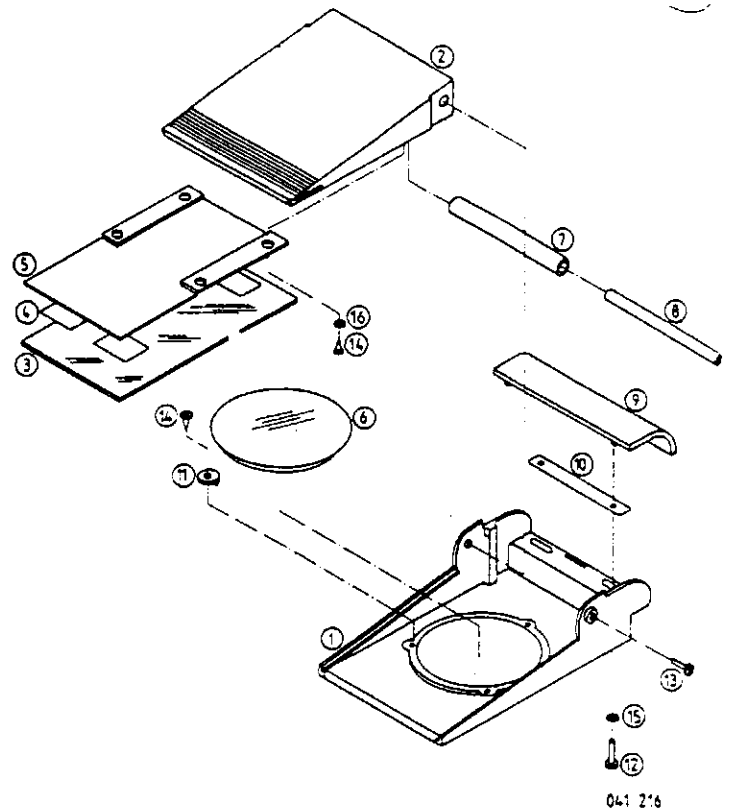
041 216 060 041 216 020
 only for machines with
 Hi-LOW lamp power feature

3

41 216 011

OPEN HEAD WITH SINGLE LESS

PCS.	PART #	DESCRIPTION	PSC.
1	041 116 005	OPEN HEAD BODY	1
1	041 116 006	MIRROR BODY	1
1	041 116 055	OPEN HEAD MIRROR 6 1/4x3 9/16	1
1	720 000 218	DOUBLE COATED TAPE	1
1	041 116 044	MIRROR BRK 1	1
1	041 100 086	LENS 18	1
1	041 116 049	DISTANCE TUBE	1
1	041 116 050	SCREW PIN	1
1	041 116 007	HEAD COVER	1
1	041 116 020	SCREW PLATE	1
1	041 116 080	LENS WASHER	3
2	091 021 934	SCREW M5X30	2
2	091 018 089	SCREW M4X12	2
7	091 014 389	SCREW PT KA 30X8	7
2	091 021 799	WASHER 5	2
4	091 015 133	WASHER 3	4

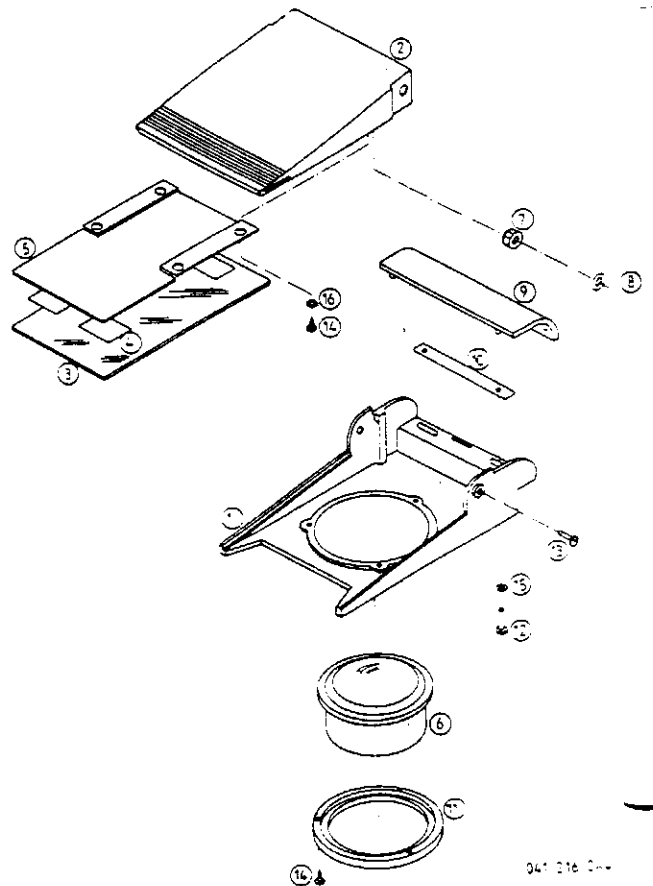


041 216

041 216 044

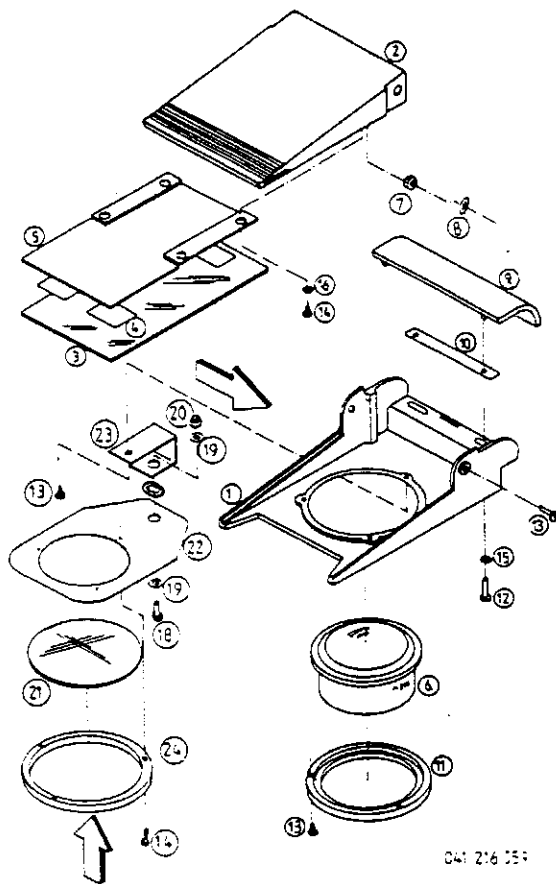
OPEN HEAD WITH TRIPLET LENS

PCS.	PARTS #	DESCRIPTION	PCS.
1	041 116 088	TRIPLET LENS BRK	1
1	041 116 006	MIRROR BODY	1
1	041 116 055	OPEN HEAD MIRROR	1
5	720 000 218	DOUBLE COATED TAPE	5
1	041 116 044	MIRROR BRK 1	1
1	041 200 090	TRIPLET LENS ELEM	1
2	091 032 101	LOCK NUT M4	2
2	091 012 596	SPRING PLATE 4	2
1	041 116 007	HEAD COVER	1
1	041 116 020	SCREW PLATE	1
1	041 116 089	SPACER RING	1
2	091 021 955	SCREW M5X30	2
2	091 021 229	SCREW M4X12	2
4	091 014 389	SCREW M4X12	4
2	091 021 799	WASHER 5	2
4	091 015 133	WASHER 3	4
3	091 021 930	FLAT SCREW PTKA30X8	3



041 216 044

kk 99

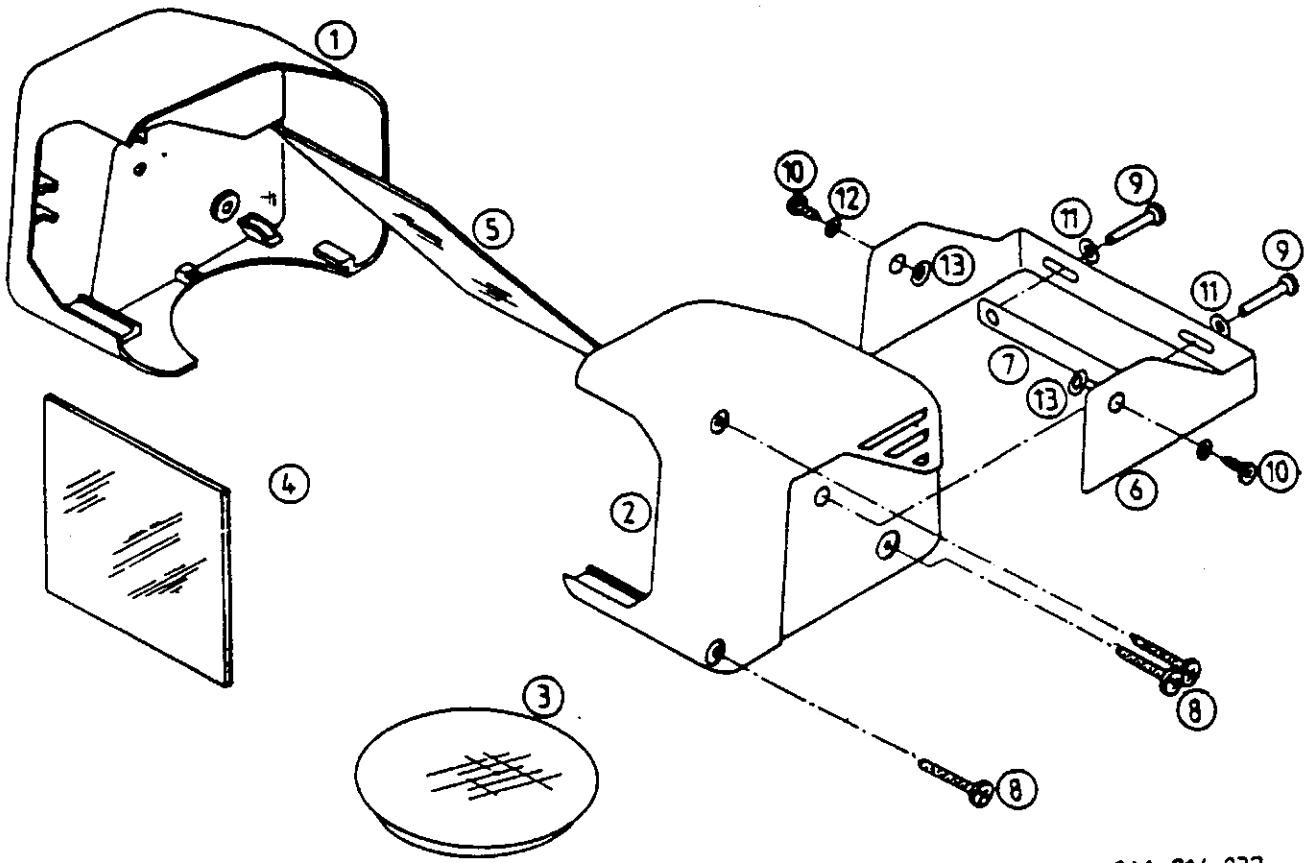


4

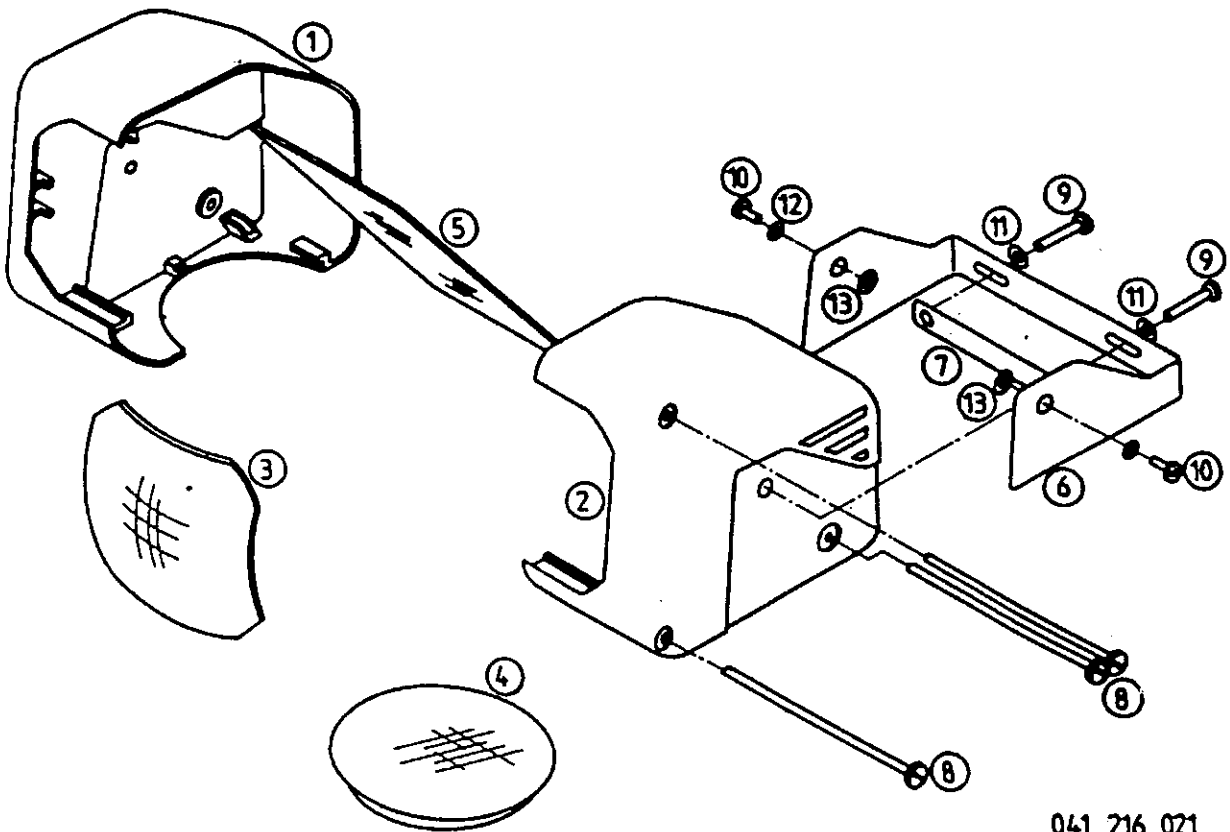
041 216 059

041 216 059 OPEN HEAD WITH 4 TH ELEMENT LENS

POS.	PART #	DESCRIPTION	PSC.
1	041 116 088	TRIPLET LENS BRK	1
2	041 116 006	MIRROR BODY	1
3	041 116 055	OPEN HEAD MIRROR	1
4	720 000 218	DOUBLE COATED TAPE	5
5	041 116 044	MIRROR BRK 1	1
6	041 200 090	TRIPLET LENS ELEM	1
7	091 032 101	LOCK NUT M4	2
8	091 012 596	SPRING PLATE 4	2
9	041 116 007	HEAD COVER	1
10	041 116 020	SCREW PLATE	1
11	041 116 0894	SPACER RING CUT	1
12	091 021 955	SCREW M5X30	2
13	091 021 229	SCREW M4X12	2
14	091 014 389	SCREW M4X12	4
15	091 021 799	WASHER 5	2
16	091 015 133	WASHER 3	4
17	091 021 931	FLAT SCREW PTKA30X8	3
18	041 100 245	WASHER	1
19	091 007 019	WASHER 4	1
20	091 032 101	LOCK NUT 4	1
21	041 135 485	POSITIVE LENS	1
22	041 116 235	LENS MOUNTING PLATE	1
23	041 116 233	LENS BRK	1
24	041 116 234	LENS RING	1
25	091 013 279	SCREW 3.10	3



041 216 032



041 216 021

041 216 032 CLOSED HEAD WITH SINGLE LENS

POS.	PART #	DESCRIPTION	PSC.
1	041 116 003	HOUSING LEFT	1
2	041 116 004	HOUSING RIGHT	1
3	041 100 086	LENS 18	1
4	041 116 084	GLASS 3 9/16	1
5	041 116 056	CLOSED HEAD MIRROR 5X3 1/8	
6	041 116 043	HEAD HOLDER 2	1
7	041 116 020	SCREW PLATE	1
8	091 022 002	SCREW PT KA 30X25	3
9	091 021 934	SCREW M5X25	2
10	091 012 623	SCREW PT KA 35X10	2
11	091 021 799	WASHER 5	2
12	091 005 804	WASHER A, 3	2
13	041 100 245	PLASTIC WASHER	2

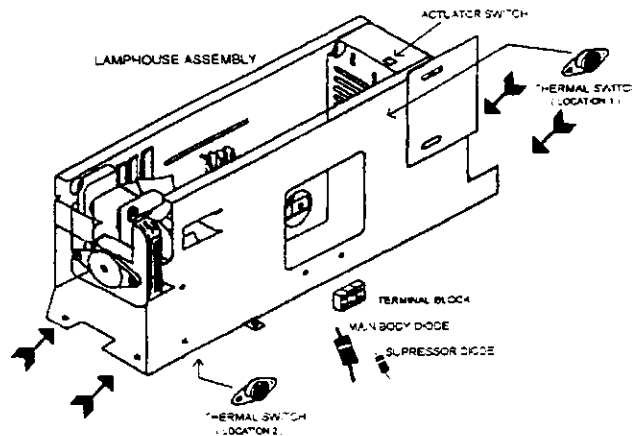
041 216 021 CLOSED HEAD WITH DOUBLET LENS

POS.	PARTS #	DESCRIPTION	PCS.
1	041 116 003	HOUSING LEFT	1
2	041 116 004	HOUSING RIGHT	1
3	041 116 058	LENS 1	1
4	041 116 057	LENS 2	1
5	041 116 056	CLOSED HEAD MIRROR	1
6	041 116 043	HEAD HOLDER 2	1
7	041 116 020	SCREW PLATE	1
8	041 116 051	CLOSED HEAD SCREW	3
9	091 021 934	SCREW M5X25	2
10	091 012 623	SCREW M4X8P	2
11	091 021 799	WASHER 5	2
12	091 005 804	WASHER A4, 3	2
13	041 100 245	PLASTIC WASHER	2

APOLLO TECHNICAL BULLETIN

INSTALLATION OF THERMAL SWITCH AND SUPPRESSOR DIODES IN A12000 SERIES PROJECTORS

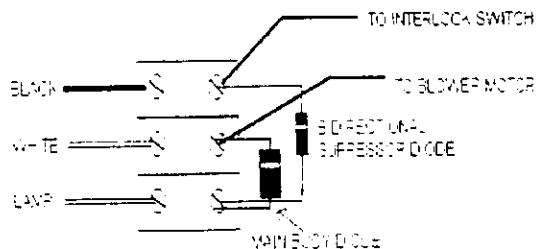
The thermal switch and suppressor diodes are mounted on the lamphouse assembly of the projector. On some models the thermal switch is mounted on the side of the lamphouse near the actuator switch (Location 1) making replacement easy, on others it is mounted on the underside of the lamphouse near the blower motor (location 2). The suppressor diodes are connected to a terminal block mounted on the underside of the lamphouse.



In order to gain access to the underside of the lamphouse remove the four screws on the bottom that mount the lamphouse to the base of the projector. Remove the side plates that mount the lamphouse to the side of the projector and lift the lamphouse out of the base and turn it over. This will allow you to have access to the thermal switch and the terminal block.

There are two methods for configuring the suppressor diodes which are dependent on the black(Hot) and white(Neutral) wire arrangement into the terminal block from the power cord. Please note that versions which supply voltage by use of a transformer do not use diodes.

VERSION I



VERSION II

