

# APOLLO AUDIO VISUAL

# AI-1000

## OVERHEAD PROJECTOR

*203,340 Same Big shot*

### REPLACEMENT PARTS & PRICE GUIDE

FOR AI-1000 SERIES MODELS:

AI-1000

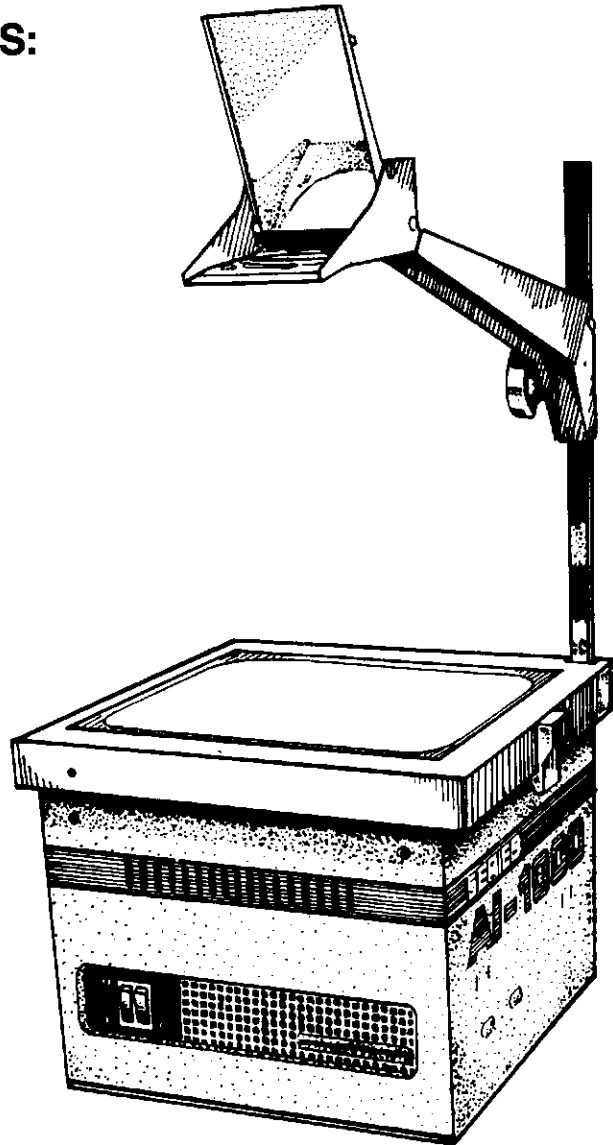
AI-1002

AI-1003

AI-1004

AI-1005

AI-1009



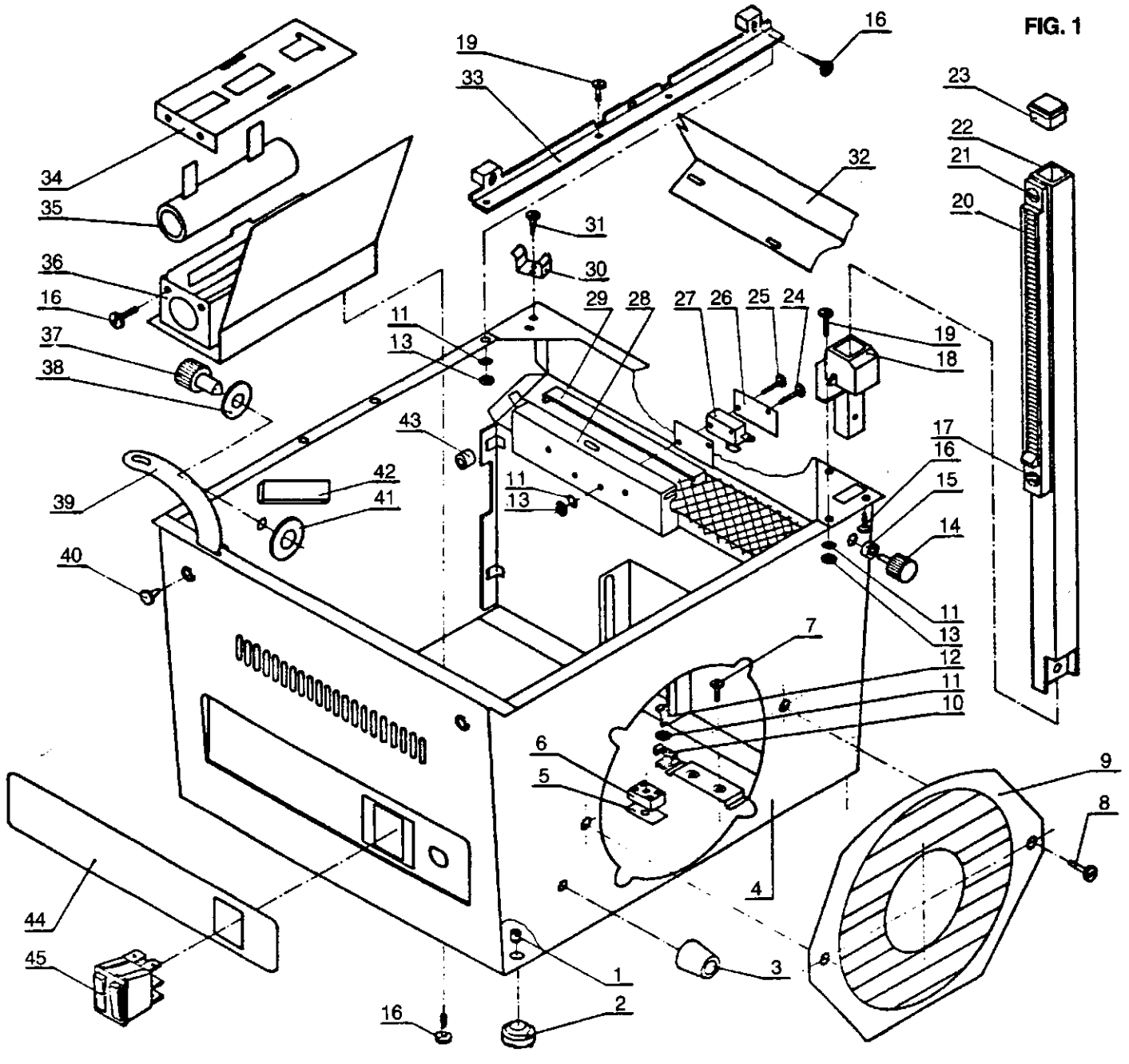
60 Trade Zone Court  
Ronkonkoma, New York 11779  
(516) 467-8033  
TELEX: 382325  
FAX: (516) 467-8996

# TABLE OF CONTENTS

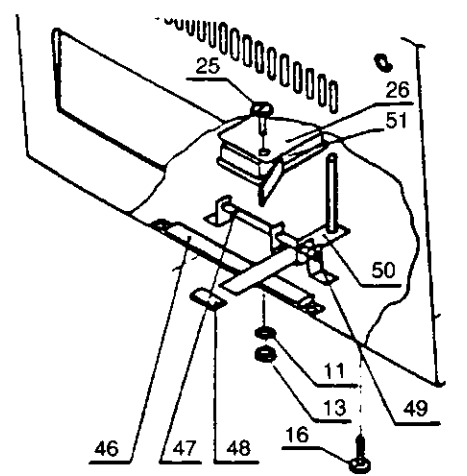
	Page
Projector Body Assembly .....	3-4
Motor Assembly .....	5
Cable Assembly .....	6
Roll Attachment.....	6
Lamp System .....	7
Projection Head Assembly .....	8
Cover .....	9
Lamp Changer System .....	10
Closed Head (Version I).....	11
Closed Head (Version II) .....	12

**PROJECTION BODY ASSEMBLY**  
**Models AI-1000, AI-1002, AI-1003**

707)524-2843



**PROJECTION BODY ASSEMBLY**  
**WITH LAMP CHANGER**  
**Models AI-1004, AI-1005, AI-1009**



**FIGURE 1: PROJECTOR BODY ASSEMBLY  
FIGURE 1A: WITH LAMP CHANGER**

<b>Position</b>	<b>Part No.</b>	<b>Description</b>	<b>Pieces</b>
1	041 100 110	FOOT PIN	4
2	041 100 186	FOOT	4
3	041 100 331	SIDE FOOT	2
4	041 203 369	PROJECTOR BODY	1
5	041 100 470	INSULATION PLATE	1
6	631 000 468	TERMINAL BLOCK	1
7	091 001 102	SCREW M3X16	1
8	091 017 153	SCREW M4X8 P	2
9	041 103 423	MASK	1
10	037 300 631	EARTHING WASHER	1
11	091 015 133	WASHER A3,5	8
12	091 017 144	SCREW M3,5x10 P	1
13	091 004 786	NUT M3	8
14	041 100 484	FIXING SCREW	1
15	041 100 190	PROTECTIVE TUBE	1
16	091 014 391	SCREW A2,9X9,5	9
17	091 013 279	SCREW M3X10P	1
18	041 100 480	POLE SUPPORT	1
19	091 000 542	SCREW M3X8P	6
20	041 103 528	RACK	1
21	091 015 502	SCREW M3X8P	1
22	041 103 529	POLE	1
22a		14" POLE	
23	041 100 448	PIN	1
24	091 009 941	SCREW M3X20P	2
25	091 012 913	SCREW M3X16P	2
26	041 100 105	INSULATION PLATE	2
27	030 300 418	MICRO-SWITCH	1
28	041 200 180	MICRO-SWITCH HOUSING	1
29	041 100 493	MICRO-SWITCH SPRING	1
30	041 100 328	FIXING SPRING	1
31	091 014 389	SCREW A2,9X6,5	6
32	041 203 356	AIR GUIDANCE	1
33	041 103 486	HINGE	1
34	041 100 389	RESISTOR COVER	1
35	041 100 390	RESISTOR 35W, 5Ω	1
36	041 200 454	RESISTOR SHIELD	1
37	041 200 187	FIXING SCREW	1
38	041 100 245	WASHER	1
39	041 100 061	OPENING STOP	1
40	041 100 126	PIN	4
41	041 103 029	ROLLER WASHER	1
42	041 103 419	HEAD SPACER	1
43	335 040 074	TUBE 6x0,5x13	13
44	041 103 420	FRONT LABEL	1
45	633 009 462	DOUBLE SWITCH	1
46	041 103 257	SPRING	1
47	041 103 406	AXLE II	1
48	041 103 427	PLASTIC CAP	1
49	091 006 932	PLATE 3, 2	2
50	041 203 353	LEVER	1
51	041 103 381	MICROSWITCH	2
	900 100 390	RESISTOR ASSY #34, 35, 36 & 16	
	900 103 529	POST ASSY #17, 20, 21, 22, 23	

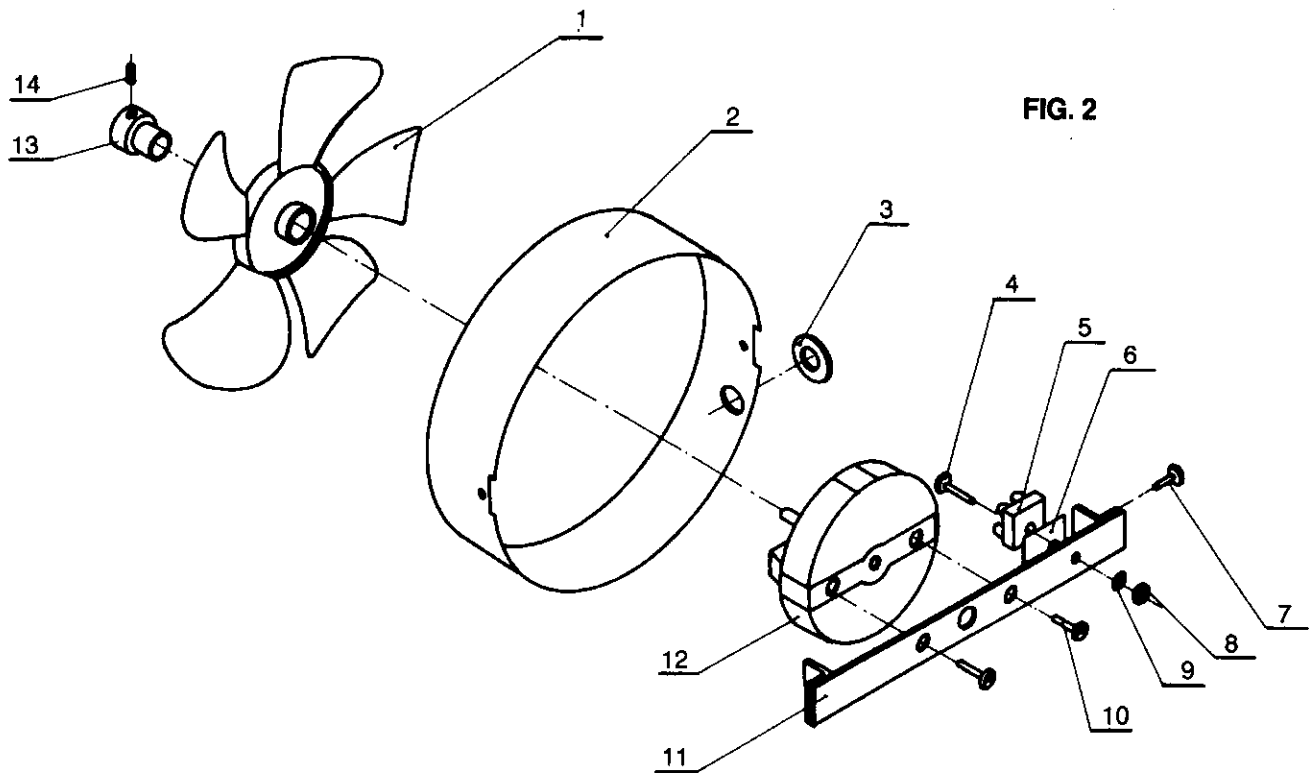


FIG. 2

**FIGURE 2: MOTOR ASSEMBLY**

Position	Part No.	Description	Pieces
1	041 200 296	FAN	1
2	041 100 341	FRAME	1
3	094 001 141	PROTECTIVE RUBBER	1
4	091 009 941	SCREW M3X20P	1
5	631 000 468	TERMINAL BLOCK	1
6	041 100 470	INSULATION PLATE	1
7	091 010 116	SCREW A2,9X6,5	2
8	091 004 786	NUT M3	1
9	091 009 969	WASHER A3,2	1
10	091 002 796	SCREW M4X8P	2
11	041 200 168	MOTOR SUPPORT	1
12	699 300 650	MOTOR 117V 60Hz	1
13	041 103 476	FAN HUB	1
14	091 004 224	SCREW M4X8K	1
	900 200 296	FAN ASSY 1, 13, 14	1

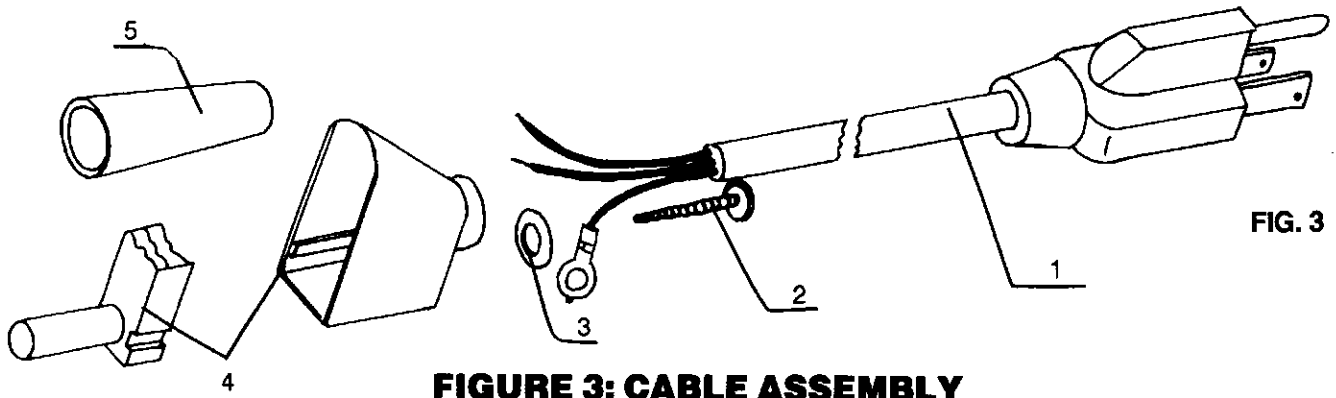


FIG. 3

**FIGURE 3: CABLE ASSEMBLY**

Position	Part No.	Description	Pieces
1	699 300 801	CABLE	1
2	091 016 434	SCREW A3,5x19	1
3	091 005 258	WASHER 4	1
4	041 135 467	CABLE INLET DEMO	1
5	041 135 451	CABLE INLET	1

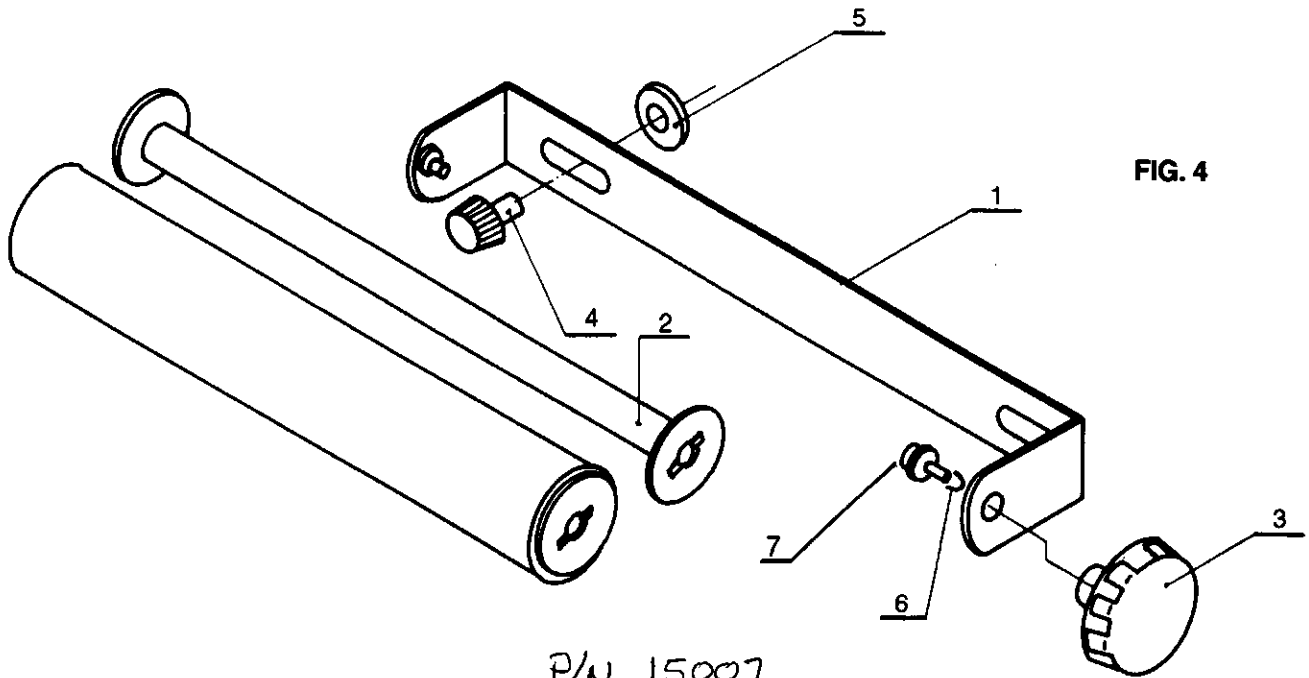


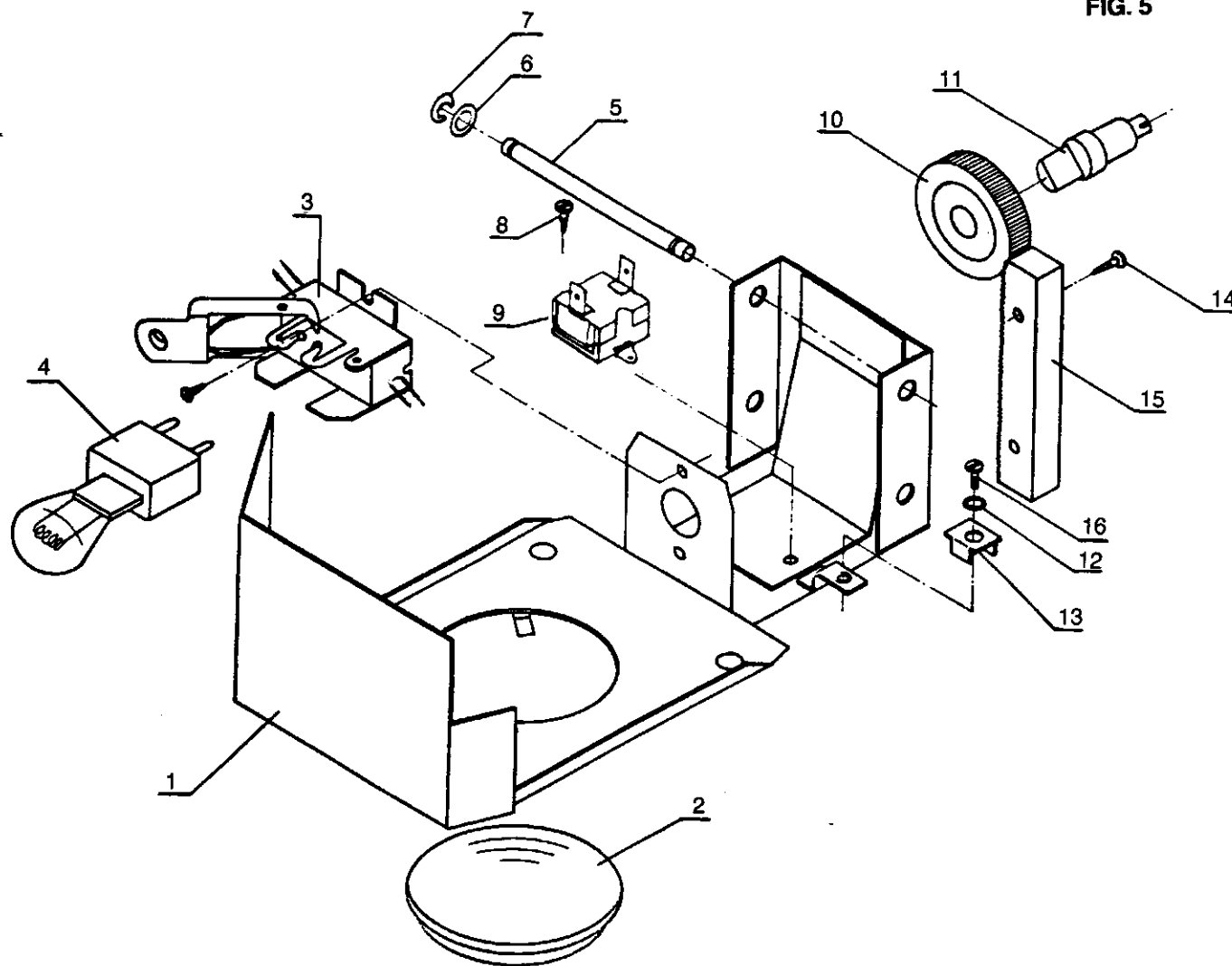
FIG. 4

P/N 15007

**FIGURE 4: ROLL ATTACHMENT**

Position	Part No.	Description	Pieces
1	041 113 194	ROLL HOLDER	1
2	041 113 196	CORE	1
3	041 135 489	KNOB	1
4	041 200 054	THUMB SCREW	2
5	041 103 029	WASHER	2
6	041 135 309	SPRING WIRE	1
7	041 113 195	AXLE	1
	900 113 194	1 ROLLER ATTACH # 1 to 7	1

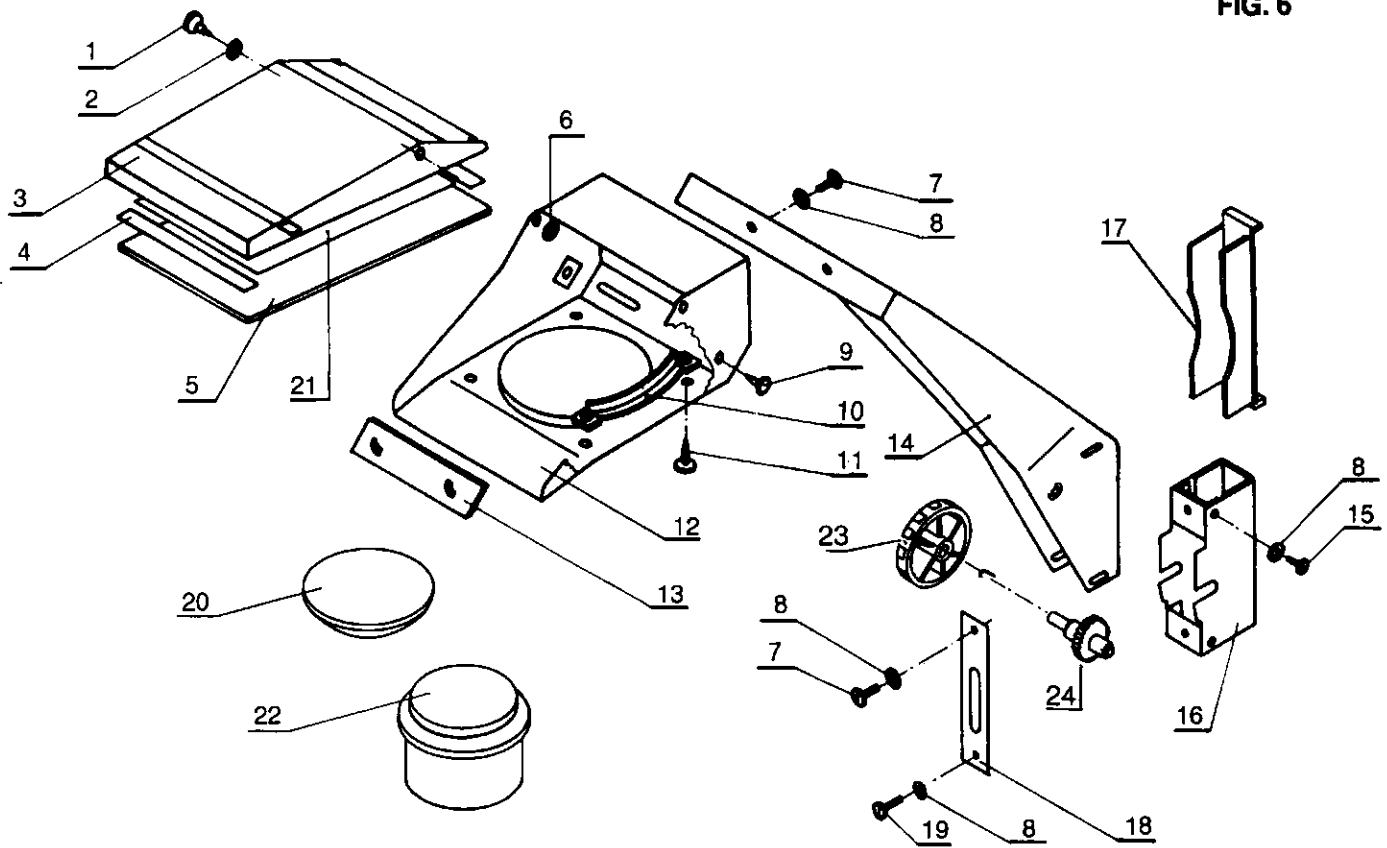
FIG. 5



**FIGURE 5: LAMP SYSTEM – 650**  
**Models AI-1000, AI-1002, AI-1003**

Position	Part No.	Description	Pieces
1	041 203 324	LAMP HOUSING	1
2	041 100 473	REFLECTOR 35	1
3	699 300 256	LAMP SOCKET	1
4	699 300 600	LAMP DYS 120V	1
5	041 100 054	ROD	2
6	041 100 245	WASHER	4
7	091 006 921	PLATE 4	4
8	091 014 389	SCREW A2,9x6,5	4
9	755 409 312	THERMOSWITCH	1
10	041 100 058	PINION	1
11	041 100 496	AXLE	1
12	091 015 133	WASHER A3,5	1
13	037 300 631	EARTHING WASHER	1
14	091 015 122	SCREW A3,5x13	2
15	041 100 057	RACK	1
16	091 017 144	SCREW M3,5x10P	1

FIG. 6



**FIGURE 6: PROJECTION HEAD ASSEMBLY (OPEN HEAD)**  
**Models AI-1000, AI-1003, AI-1004, AI-1005**

Position	Part No.	Description	Pieces
1	041 100 246	SCREW	2
2	091 013 885	WASHER B6	2
3	041 200 004	MIRROR HOUSING	1
4	041 100 083	ADHESIVE TAPE	2
5	041 100 047	PLANE MIRROR	1
6	041 100 245	WASHER	2
7	091 001 109	SCREW M4x10	4
8	091 007 019	WASHER 4,3x11x1	8
9	041 100 126	PIN	2
10	041 100 240	LENS HOLDER	2
11	091 009 955	SCREW A2,9x6,5	4
12	041 200 018	OBJECTIVE SUPPORT	1
13	041 100 200	THREAD PLATE	1
14	041 200 148	SUPPORT	1
15	091 017 153	SCREW M4x8P	4
16	041 203 402	FOCUS CONTROL HOUSING	1
17	041 100 299	PLASTIC PROTECTION	1
18	041 103 525	SPRING PLATE -- 041-100-301 HAS Knotted Corners	1
19	091 001 110	SCREW M4x12	1
20	041 100 086	OBJECTIVE LENS	1
20a		Lens for 14"	
21	041 113 263	ALUMINUM PLATE	1
22	041 200 090	OBJECTIVE (3-L) F=315 (OPTIONAL UPON REQUEST)	1
	900 135 225	KNOB W/PINION GEAR # 23, 24	
	900 100 047	MIRROR ASSY # 1, 2, 3, 4, 5, 21	
	900 200 018	COMPLETE HEAD ASSY ALL BUT #22	

FIG. 7

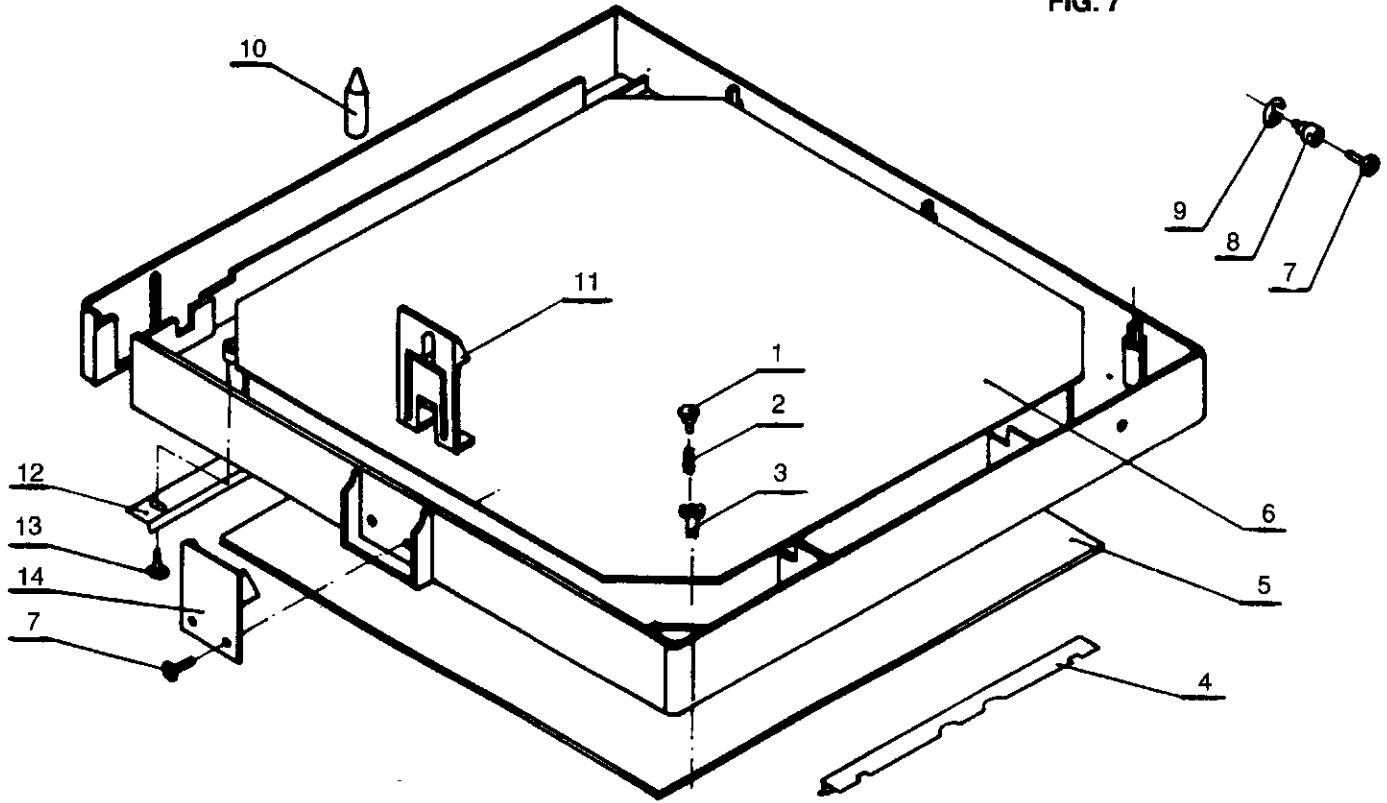
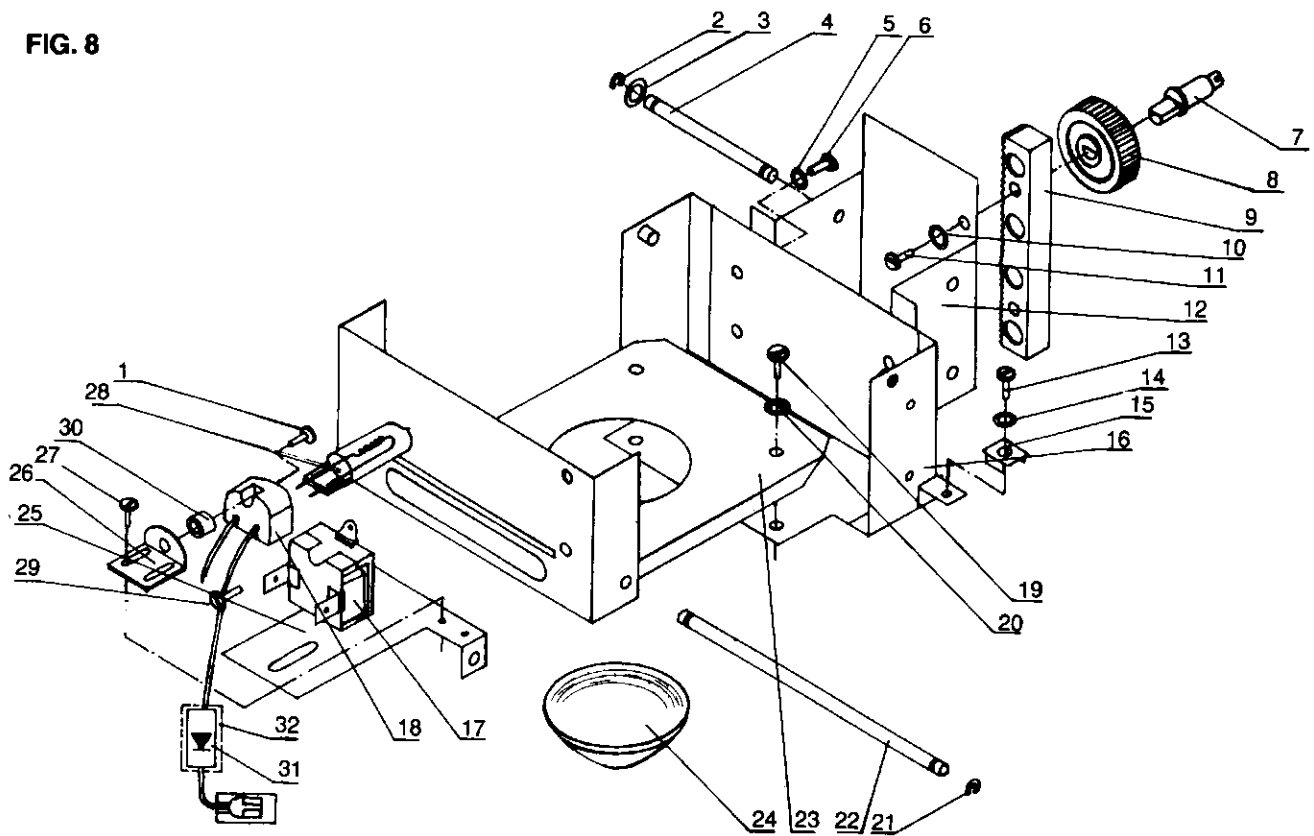


FIGURE 7: COVER

Position	Part No.	Description	Pieces
1	041 103 331	PLUG	4
2	041 103 220	SPRING	4
3	041 103 330	LOCATION PIN	4
4	041 100 377	OBJECT GLASS FRAME	1
5	041 100 373	OBJECT GLASS	1
6	041 100 372	FRESNEL LENS 285	1
6a	041 100 372GL	FRESNEL LENS 285 ANTI-GLARE	1
7	091 013 279	SCREW M3x10	3
8	041 100 068	TUBE	1
9	091 006 932	PLATE 4	1
10	041 100 494	COVER PIN	1
11	041 113 193	LENS LOCK	2
12	041 100 378	FIXING PROFILE	1
13	091 012 623	SCREW A3,5x9,5	3
14	041 100 151	LOCK	1
	900 100 330	COVER ASSY ALL EXCEPT #5 & 6	

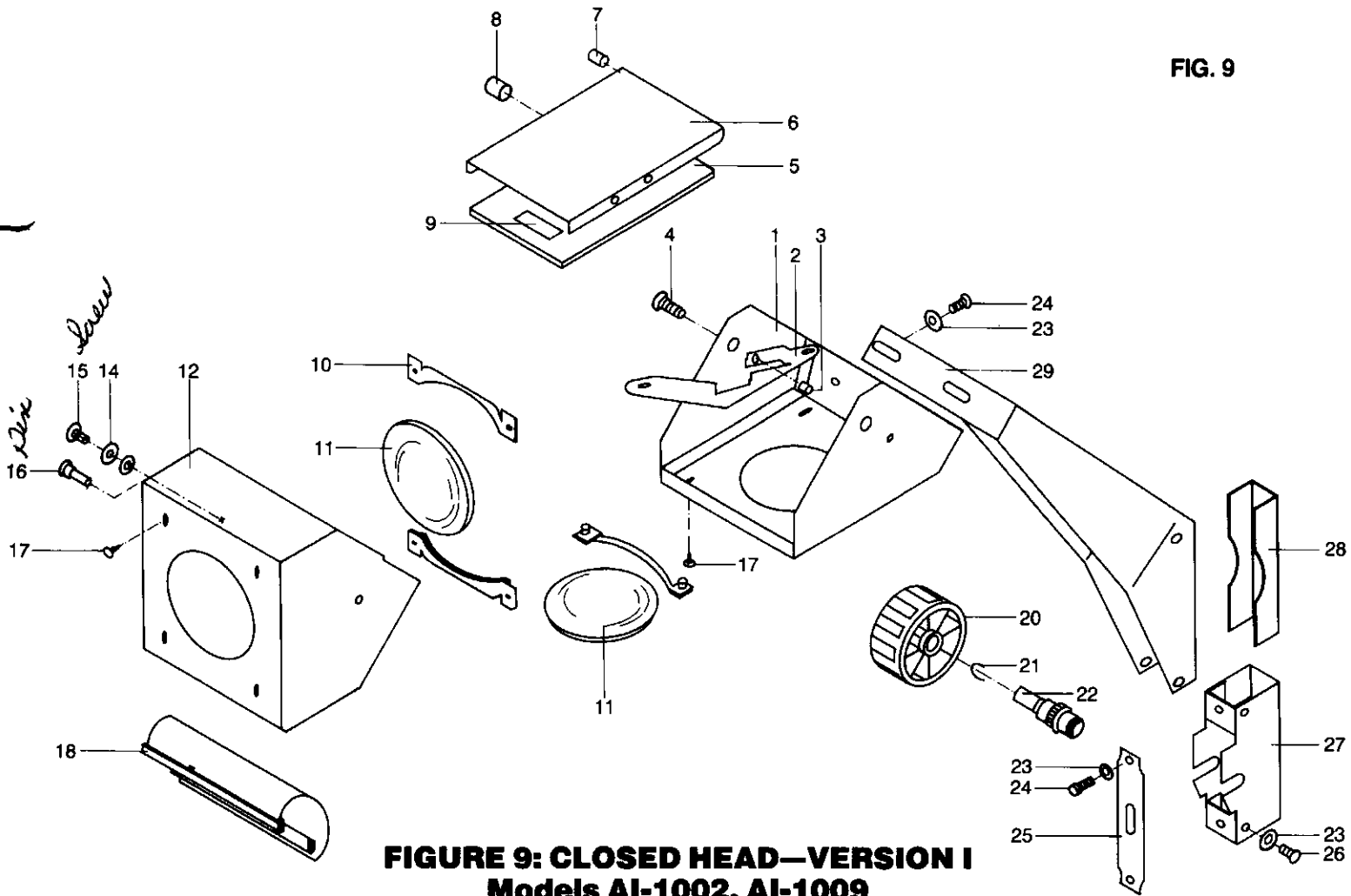
FIG. 8



**FIGURE 8: LAMP CHANGER SYSTEM 360 — Models AI-1004, AI-1005, AI-1009**

Position	Part No.	Description	Pieces
1	091 012 913	SCREW M3X16P	2
2	091 006 921	PLATE 4	4
3	041 100 245	WASHER	4
4	041 100 054	ROD	2
5	091 009 969	WASHER A3,2	4
6	091 001 097	SCREW M3X6	4
7	041 100 496	AXLE	1
8	041 100 058	PINION	1
9	041 100 057	RACK	1
10	091 009 971	WASHER A4,3	2
11	091 002 796	SCREW M4X8P	2
12	041 100 016	LAMP HOUSING SUPPORT	1
13	091 017 144	SCREW M3.5X10P	1
14	091 015 133	WASHER A3,5	1
15	037 300 631	EARTHING WASHER	1
16	041 203 357	SUPPORT	1
17	755 409 308	THERMOSWITCH	1
18	699 300 802	LAMP SOCKET	2
19	091 013 281	SCREW M4X6	2
20	091 007 019	WASHER 4,3X11X1 Me-G38	2
21	091 006 932	PLATE 3,2	2
22	041 103 252	AXLE	1
23	041 203 362	LAMP HOUSING—APOLLO	1
24	041 103 155	REFLECTOR	1
25	041 103 396	LAMP SUPPORT	1
26	041 203 389	SOCKET SUPPORT	2
27	091 013 968	SCREW M3X4P	4
28	699 300 500	LAMP EYB 82V 360W	2
29	091 014 389	SCREW A2,9X6,5	2
30	041 103 418	DISTANCE TUBE	2
31	623 003 095	DIODE	1
32	699 300 803	TUBE 015X75	1

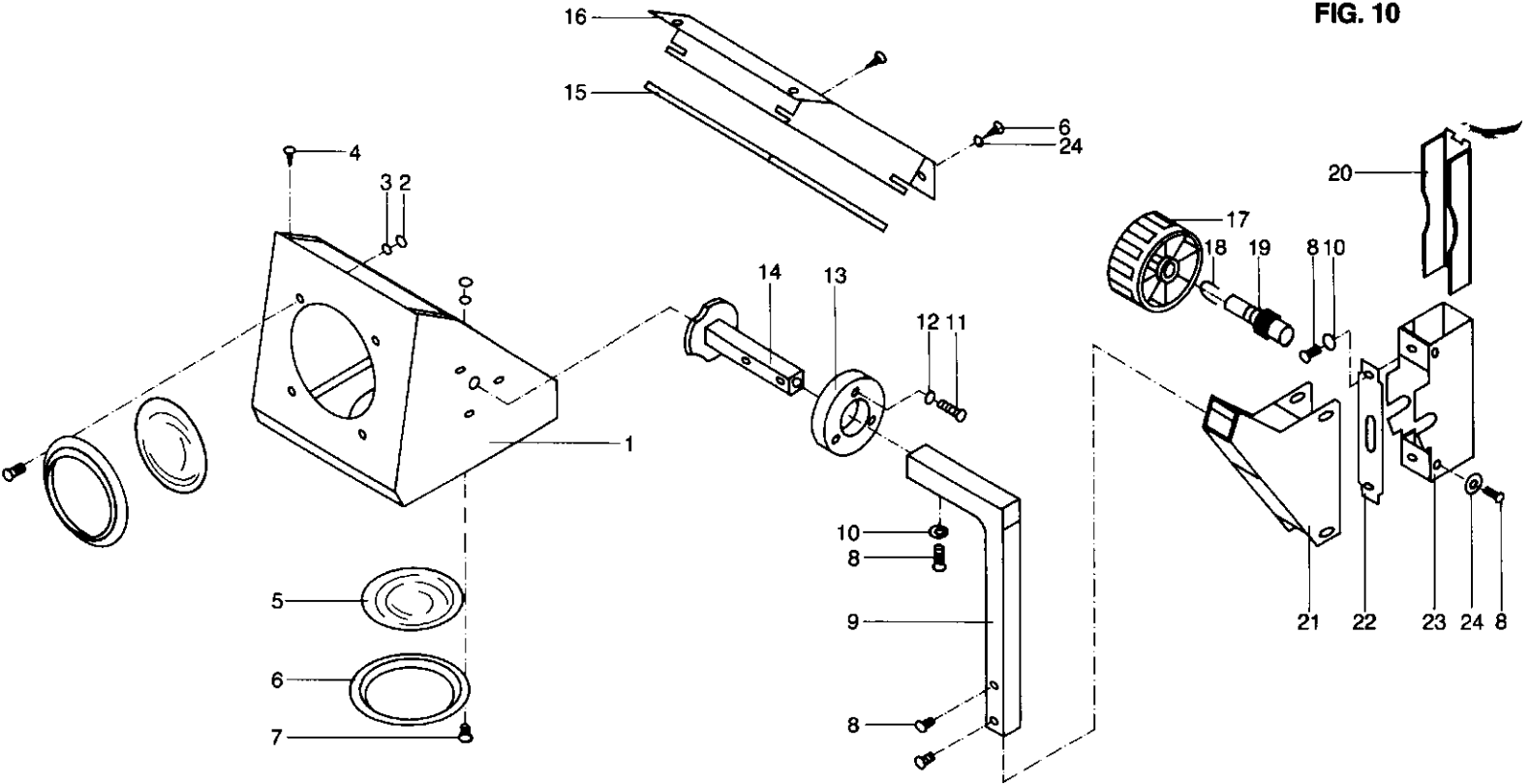
FIG. 9



**FIGURE 9: CLOSED HEAD—VERSION I**  
**Models AI-1002, AI-1009**

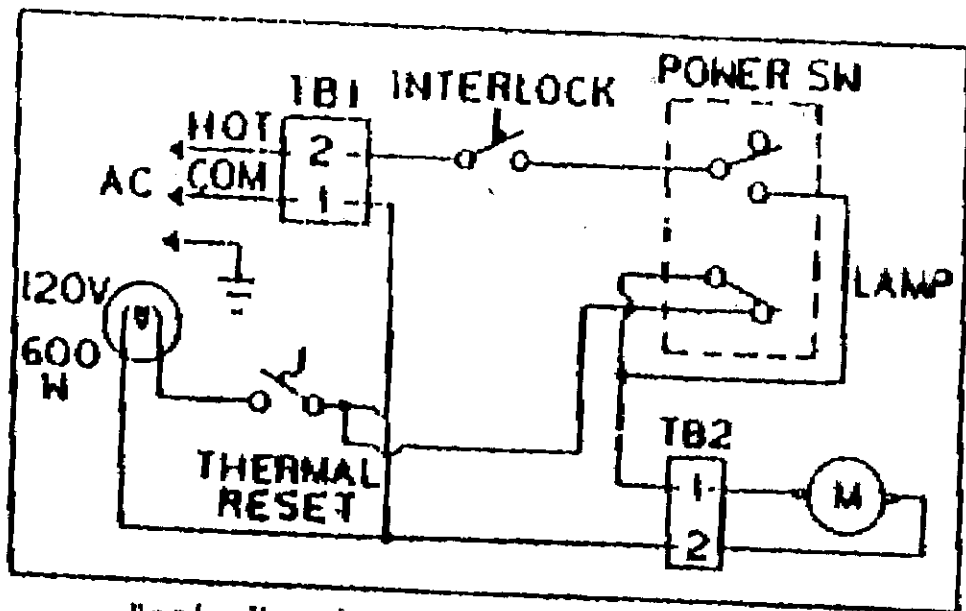
Position	Part No.	Description	Pieces
1	041 203 385	HOUSING—UPPER PART	1
2	041 103 438	LEVER	1
3	091 006 294	RIVET	1
4	041 103 441	SCREW	2
5	041 103 430	MIRROR	1
6	041 103 431	MIRROR HOUSING	1
7	041 103 440	PIN 2	1
8	041 103 439	TUBE	2
9	041 113 044	ADHESIVE TAPE	3
10	041 100 240	LENS HOLDER	4
11	041 103 442	LENS 1, 2	2
12	041 203 384	HOUSING—LOWER PART	1
14	091 013 885	WASHER B6	4
15	041 100 246	SCREW	2
16	041 103 432	PIN 1	1
17	091 010 116	SCREW A2, 9X6,5	8
18	041 135 314	PROTECTION	2
20	041 135 495	KNOB (W41 135 450) <i>Use 900135225</i>	1
21	041 135 309	SPRING WIRE	1
22	<del>041 103 527</del>	PINION	1
23	091 007 019	WASHER 4,3X11X1	4
24	091 001 109	SCREW M4X10	3
25	041 100 301	SPRING PLATE	1
26	091 017 153	SCREW M4X8P	2
27	041 203 402	FOCUS CONTROL HOUSING (W41 213 195)	1
28	041 100 299	PLASTIC PROTECTION	1
29	041 203 388	SUPPORT	1
	900 203 385	CLOSED HEAD ASSY VERSION I	

FIG. 10



**FIGURE 10: CLOSED HEAD—VERSION II**  
**Models AI-1002, AI-1009**

Position	Part No.	Description	Pieces
1	041 213 496	HOUSING	1
2	091 004 786	NUT M3	8
3	091 005 803	WASHER A3	8
4	091 014 389	SCREW A2,9X6,5	4
5	041 113 681	LENS	2
6	041 113 689	LENS HOLDER	2
7	091 014 577	SCREW M3X8P	8
8	091 005 259	WASHER 4	10
9	041 213 502	CARRIER	1
10	091 013 283	SCREW M4X8P	10
11	091 015 228	SCREW M4X12P	3
12	091 005 154	WASHER A3, 2	1
13	041 113 690	HEAD HOLDER	1
14	041 113 691	HEAD SUPPORT	1
15	041 113 682	MIRROR	1
16	041 213 497	COVER PLATE	1
17	041 135 495	KNOB (W41 135 450) Use 900135225	1
18	041 135 309	SPRING WIRE	1
19	041 103 527	PINION	1
20	041 100 299	PLASTIC PROTECTION	1
21	041 213 500	SUPPORT	1
22	041 100 301	SPRING PLATE	1
23	041 203 402	FOCUS CONTROL HOUSING	1
24	091 005 257	WASHER	4
	900 213 496	CLOSED HEAD ASSY VERSION II	



Basic Version Single Switch ↗

