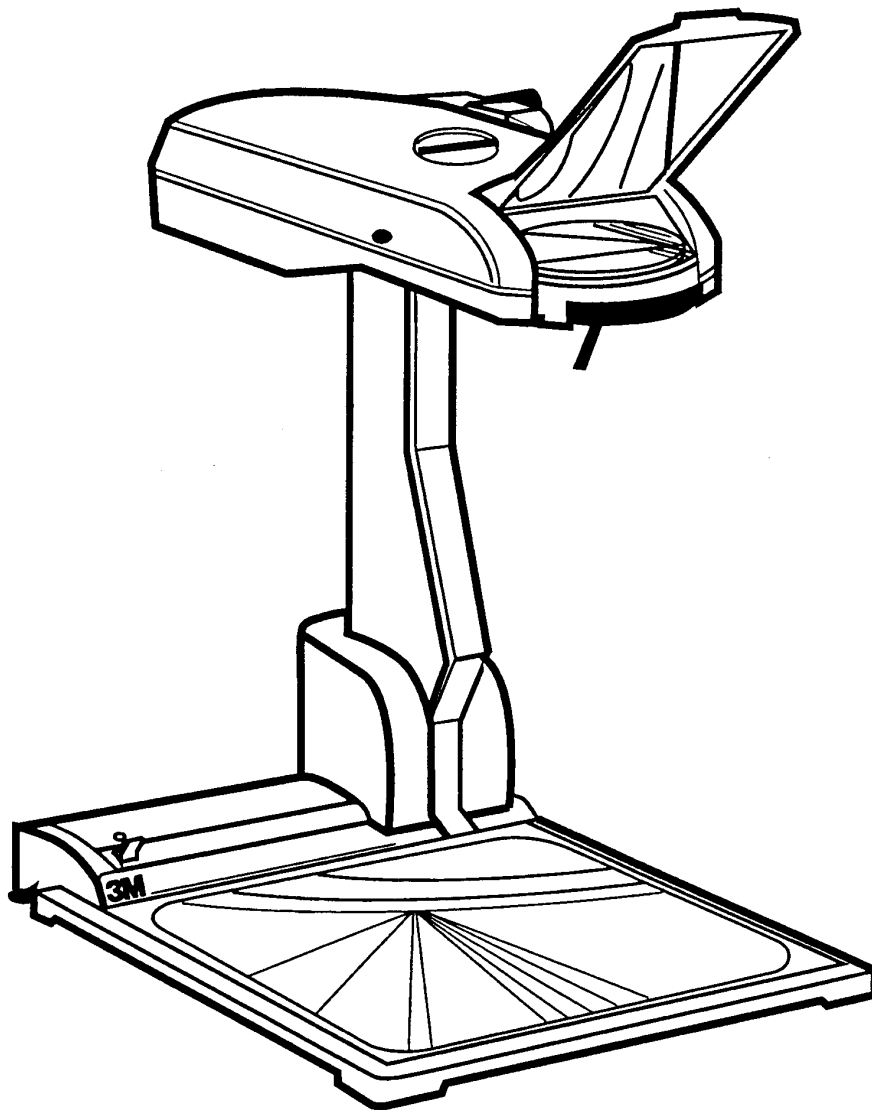


3M

2770 Overhead Projector

Illustrated Parts Breakdown



Introduction

This Illustrated Parts Breakdown (IPB) contains the information necessary to locate and identify specific parts of the 2770 Overhead Projector.

Part Numbers

All components available on a replacement basis are listed with their 3M identification number. The parts identification list opposite each illustration provides the description adequate to identify components.

Locating and Identifying a Part

If physical appearance and general location of an item are known:

1. Use the Overview illustration to determine which section includes the item.
2. Refer to the section and locate the item on the exploded view illustration.

The part identification numbers provided in this manual are from the most current data available. Make sure part identification numbers for your component have not been amended by changes and updates made to your 2770 Overhead Projector.

Machine Identification Plate

The Machine Identification Plate is located on the bottom side of each projector and lists specific information that is needed when calling for technical assistance or ordering parts.

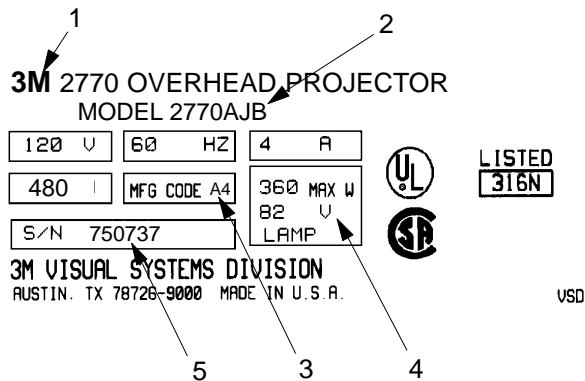


Figure 1-1. Machine Identification Plate

When ordering parts, include part identification number, description, quantity and the following information:

1. Product Name: The specific version number of the projector.
2. Model Number/Alpha Code: The series number of the projector followed by a three or four character alpha code identifier. The Alpha Code indicates the design level, specific product characteristics, power cord or distribution specific to a country.
3. MFG Code: The MFG Code indicates the year and quarter the projector was built. See example below:

MFG Code			
Letter		Digit	
L	1992	1	Jan – Mar
M	1993	2	Apr – Jun
A	1994	3	Jul – Sep
C	1995	4	Oct – Dec
D	1996	1	Jan – Mar

4. Lamp: The electrical rating of the lamp.
5. S/N: The serial number assigned to this projector.

For part orders contact:

Dealers:	Refer to Dealers Guide
3M Subsidiaries:	Contact Export Operations
Retail Customers:	
FAX:	1-800-650-9268
Telephone:	1-800-650-8429

Table of Contents

Section No.	Title	Page
	Quick Reference Parts Index	2
0	Overview	4
1	Base Assembly	5
2	Head Assembly	8
3	FNT Dual Lamp Assembly	11
4	ENX Single Lamp Assembly	13
5	ENX Dual Lamp Assembly	15
6	FSX/FSY Single Lamp Assembly	17
7	Base Labels	19
8	Wire Jumpers	21
Appendix A	Specifications	23

IMPORTANT NOTICE

**3M reserves the right to sell or furnish NEW OR RECONDITIONED PARTS.
New and reconditioned parts are covered by the same 3M new parts limited warranty.**

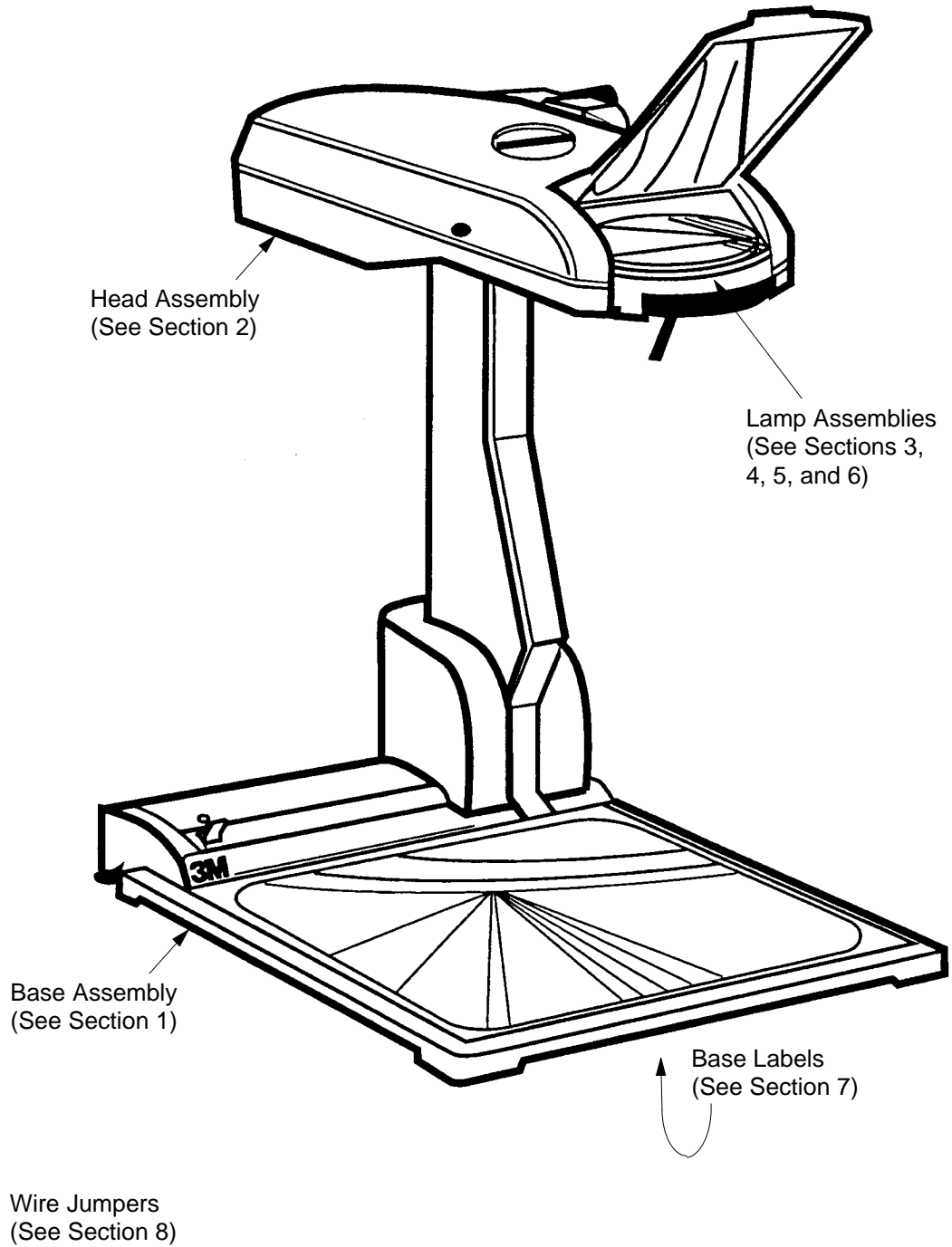
Quick Reference Parts Index

Description	Part Number	Section No.	Item No.
BLADE, Fan, CW, .181 Bore (All versions except 2770 AHCS, AHCA, AHCU, AHCZ, AHCN, AHCR,AHCH and AHDU)	78-8065-8400-5	.. 2 5A
BLADE, Fan, CCW, .181 Bore (2770 AHCS, AHCA, AHCU, AHCZ, AHCN, AHCR,AHCH and AHDU)	78-8065-8441-9	.. 2 5B
COVER, Base (All versions except Xerox)	78-8065-8159-7	.. 1	... 26A
COVER, Base (Xerox)	78-8065-8521-8	.. 1	... 26B
COVER, Travel	78-8065-8362-7	.. 1	... 67A
COVER, Travel, (Xerox)	78-8065-8510-1	.. 1	... 67B
DIODE ASSEMBLY, Surface Mount	78-8073-7317-6	.. 1 44
FOOT, 2770	78-8065-8117-5	.. 1 60
FRESNEL LENS, Reflective, 10.5V, 176.2MM FL (2770 ABJ and AABD)	78-8065-8250-4	.. 1	... 61A
FRESNEL LENS, Reflective, A4V, 176.2MM FL	78-8065-8539-0	.. 1	... 61B
KNOB, Lampchanger (All dual lamp versions)	78-8065-8119-1	.. 2 20
LAMP MOUNT, Single, ENX	78-8065-8104-3	.. 4 19
LAMP, Projection, EPW, 360W, 100V, Single (2770 ABBJ)	78-8099-9032-4	.. 4	... 20A
LAMP, Projection, EPW, 360W, 82V, Single (2770 ABJ, AABD and AABT)	78-8099-9031-6	.. 4	... 20B
LAMP HOLDER, Dual, ENX	78-8065-8161-3	.. 5 29
LAMP, Projection, EPW, 360W, 100V, Dual (2770 ABBJ)	78-8099-9032-4	.. 5 2A
LAMP, Projection, EPW, 360W, 82V, Dual (2770 ABJ, AABD and AABT)	78-8099-9031-6	.. 5 2B
LAMP, Projection, FSX, 400W, 230V (2770 AHCS and AHCZ)	78-8099-9036-5	.. 6	... 18A
LAMP, Projection, FSY, 400W, 240V, (2770 AHCA, AHCU, AHCN, AHCR and AHDU)	78-8099-9037-3	.. 6	... 18B
LAMP, Projection, FSX, 400W, 220V (2770 AHCH)	78-8099-9041-5	.. 6	... 18C
LENS, Varifocal	78-8073-3296-6	.. 2 44
LENS, Condenser (FNT Dual)	78-8065-8599-4	.. 3 33
LENS, Condenser (FSX/FSY Single)	78-8012-7827-2	.. 6 5
LINK, Control	78-8065-8594-5	.. 1 1
MIRROR, Imaging	78-8065-8315-5	.. 2 29
MOTOR, 100V (2770 ABBJ)	78-8065-8235-5	.. 2	... 4A
MOTOR, 120V (2770 ABJ, AABD and AABT)	78-8065-8236-3	.. 2	... 4B
MOTOR, FSX/FSY, 230V (2770 AHCS, AHCA, AHCU, AHCZ, AHCN, AHCR, AHCH and AHDU)	78-8065-8440-1	.. 2	... 4C
MOTOR, FNT, Long Lead, 230V (2770 AHBS, AHBA, AHBU, AHBZ, AHBN, AHBR, AHBH, AHBK, AHXS, AHXZ, AHXU, AHBC and AHEU)	78-8065-8503-6	.. 2	... 4D
MOUNT, Varifocal	78-8065-8342-9	.. 2 3
POWER CORD, Italy, 10'	78-8065-8545-7	.. 1	... 64A
POWER CORD, U.S	78-8065-8225-6	.. 1	... 64B
POWER CORD, Japan	78-8065-8278-5	.. 1	... 64C
POWER CORD, European Standard	78-8065-8223-1	.. 1	... 64D
POWER CORD, Australia	78-8065-8221-5	.. 1 64E
POWER CORD, U.K.	78-8065-8222-3	.. 1 64F
POWER CORD, Switzerland	78-8065-8220-7	.. 1	... 64G

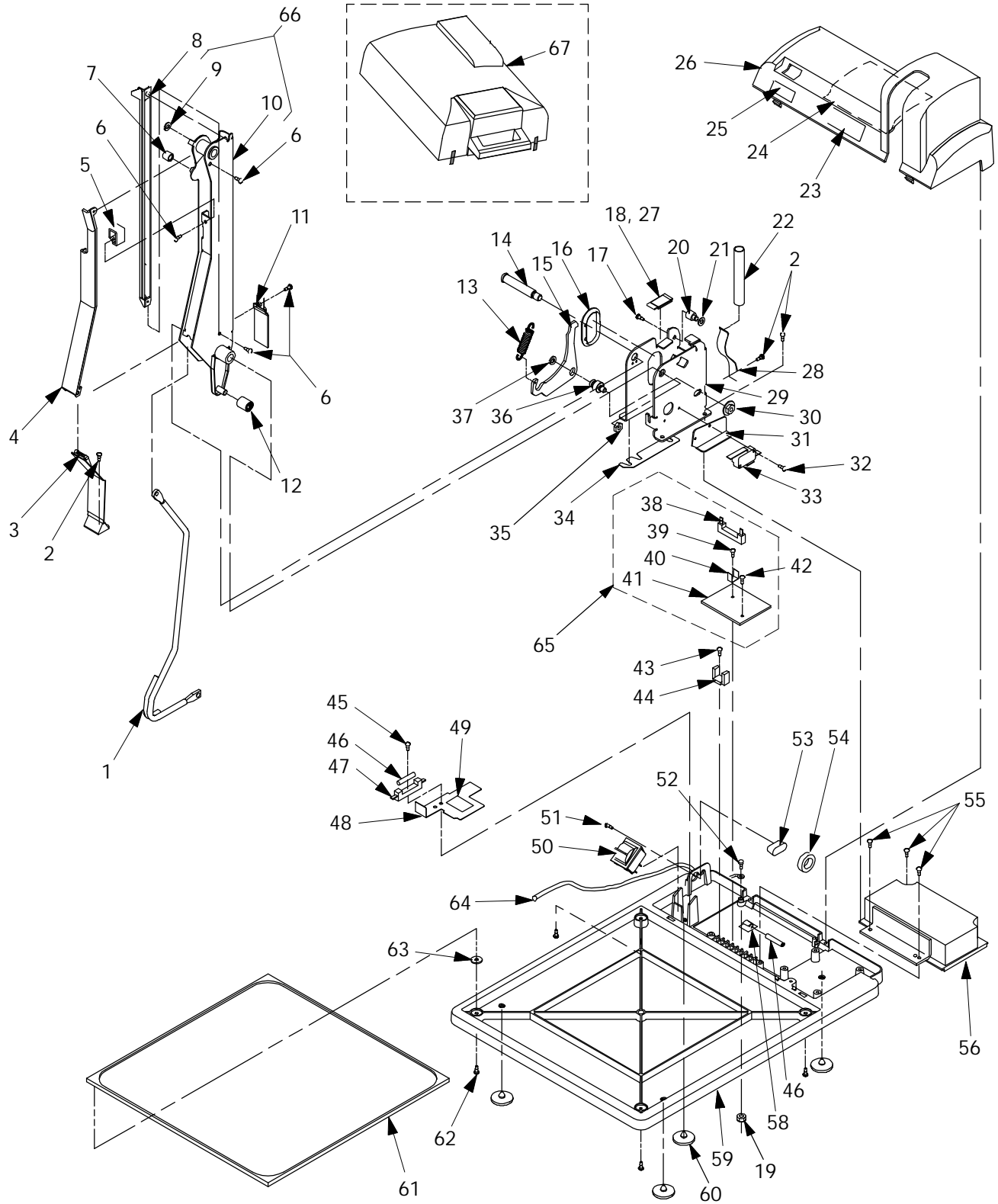
Quick Reference Parts Index (Continued)

Description	Part Number	Section Item	
		No.	No.
POWER CORD ASSEMBLY, S. Africa	78-8065-8280-1	.. 1	... 64H
POWER CORD, 2 BLADE W/Ground, 10'	78-8065-8559-8	.. 1	... 64J
POWER SUPPLY, FNT, Regulated	78-8065-8505-1	.. 1	... 56
■ RESISTOR, 1.2 Ohm	78-8073-7127-9	.. 1	... 38
RESISTOR KIT, 127V	78-6969-7986-9	.. 1	... 65
■ SHIELD, Lamp, Single, ENX	78-8065-8255-3	.. 4	... 17
SOCKET, Lamp, Single, ENX	78-8065-8352-8	.. 4	... 21
SHIELD, Lamp, Dual ENX	78-8065-8251-2	.. 5	... 30
■ SOCKET, Lamp, Dual, ENX	78-8065-8352-8	.. 5	... 22
SWITCH, Main	78-8065-8189-4	.. 1	... 50
THERMOSTAT, Overheat, ENX, 300°F (ENX) (2770 AJB, ABBJ, AABD and AABT) .	78-8065-8406-2	.. 2	... 17A
THERMOSTAT, Overheat (2770 AHCS, AHCA, AHCU, AHCZ, AHCN, AHCR, AHCH and AHDU)	78-8065-8439-3	.. 2	... 17B
THERMOSTAT, Overheat, 200°F (2770 AHBS, AHBA, AHBU, AHBZ, AHBN, AHBR, AHBH, AHBK, AHXZ, AHXU, AHBC and AHEU)	78-8065-8365-0	.. 2	... 17C

Section 0
OVERVIEW



**Section 1
BASE ASSEMBLY**



**Section 1
BASE ASSEMBLY**

Item No.	Part Number	Description	Qty
1	78-8065-8594-5	LINK, Control	1
2	26-1002-6210-9	SCREW, Taptite, M4 X 10	3
3	78-8065-8194-4	COVER, Base, Front	1
4	78-8065-8131-6	COVER, Post	1
5	78-8065-8210-8	STOP, Link	1
6	26-1002-5747-1	SCREW, Plastite, M3.2 X 6	4
7	78-8065-8179-5	ROLLER, Cam, Latching	1
8	78-8065-8181-1	CHANNEL, Wire	1
9	78-8065-8174-6	DISK, Clutch	1
10	78-8065-8147-2	POST, 2770	1
11	78-8065-8130-8	FILLER, Top Cover	1
12	78-8065-8155-5	FOLLOWER, Cam	1
13	78-8065-8217-3	SPRING, Cam Latch	1
14	78-8065-8152-2	PIN, Pivot, Post	1
15	78-8065-8150-6	CAM, Latching	1
16	78-8065-8401-3	SHIELD, Wire	1
17	26-1008-5598-5	SCREW, Mach., M3.5 X 10, Bzn	1
18	78-8065-8444-3	GUIDE, Rear Flap	1
19	DY-1120-0809-8	NUT, Hex, M3.5 X 0.6, Stl., Zinc Pl	2
20	78-8065-8154-8	PIN, Pivot, Link	1
21	78-8016-5853-1	RING, Retaining, E-Ring	1
22	78-8065-8378-3	SLEEVE	1
23	78-8065-8493-0	LABEL, M2770T (Japan)	1
24	78-8065-8482-3	SHIELD, Resistor	1
25	78-8065-8532-5	LABEL, On/Off (Korea)	1
26A	78-8065-8159-7	COVER, Base (All versions except Xerox)	1
26B	78-8065-8521-8	COVER, Base (Xerox)	1
27	78-8065-8445-0	TAPE, Rear Flap	1
28	78-8065-8151-4	SPRING, Latch	1
29	78-8065-8149-8	MOUNT, Post	1
30	26-1008-5201-6	NUT, Lock, Hex, Flanged	1
31	78-8065-8226-4	INSULATOR, Kill Switch	1
32	26-1002-5042-7	SCREW, Taptite, 4-40 X 5/8	2
33	78-8065-8188-6	SWITCH, Kill	1
34	78-8065-8456-7	SHIM, Post Mount	1
35	26-1000-3213-0	NUT, Lock, Hex, 5/16-18	1
36	78-8065-8153-0	PIN, Pivot, Cam	1
37	78-8656-3993-0	RING, Retaining, E-Ring	1
38	78-8073-7127-9	RESISTOR, 1.2 Ohm	1
39	26-1002-5258-9	SCREW, Machine, 4-40 X 5/16	1
40	78-8033-1666-6	CLIP	1
41	78-8065-8481-5	PLATE, Resistor Mounting	1
42	26-1008-5592-8	SCREW, Taptite, M3.5 X 8	1
43	Part of item 44	SCREW, Taptite, 6-32 X 1/2	1
44	78-8073-7317-6	DIODE ASSEMBLY, Surface Mount	1
45	26-1002-5085-6	SCREW, Taptite, 4-40 X 1/4	2
46	26-1005-9599-5	FUSE, 5 Amp, 5 X 20mm, Slow Acting	2
47	26-1005-6624-4	FUSEHOLDER, Block, (For single 5 X 20mm fuse)	1

Section 1
BASE ASSEMBLY (Continued)

Item No.	Part Number	Description	Qty
48	78-8073-7069-3	INSULATOR, Fuseholder	1
49	78-8057-4184-6	LABEL, Fuse Replacement (5A)	1
50	78-8065-8189-4	SWITCH, Main	1
51A	26-1003-3716-6	SCREW, Plastite, 6–19 X 1 (2770 AJB, ABBJ, AHBA, AHBZ, AHBN, AHBR, AHBH, AABD, AHCA, AHCN, AHCR, AHBK, AABT and AHBC)	2
51B	26-1008-5205-7	SCREW, Plastite, Torx, 6–19 X 1 (All versions except AJB, ABBJ, AHBA, AHBZ, AHBN, AHBR, AHBH, AABD, AHCA, AHCN, AHCR, AHBK, AABT and AHBC)	2
■ 52	26-1011-9181-0	SCREW, Machine, M3.5 X 0.6	2
53	DY-1160-2020-6	STRAIN RELIEF	1
54	78-8065-8554-9	CORE, Toroidal	1
■ 55	26-1007-1061-0	SCREW, Taptite, M3.5 X 10	3
56	78-8065-8505-1	POWER SUPPLY, FNT, Regulated, 90–260 VAC	1
■ 57	Not Used		
58	26-1005-5336-6	CLIP/CLAMP	1
59A	78-8065-8489-8	BASE, Version 2.0	1
■ 59B	78-8065-8595-2	BASE, Version 3.0	1
60	78-8065-8117-5	FOOT, 2770	4
■ 61A	78-8065-8250-4	FRESNEL LENS, Reflective, 10.5 inch, 176.2mm FL (2770 ABJ and AABD)	1
■ 61B	78-8065-8539-0	FRESNEL LENS, Reflective, A4V, 176.2mm FL (2770 ABBJ, AHBS, AHBA, AHBU, AHBZ, AHBN, AHBR, AHBH, AHBK, AHXS, AHXZ, AHXU, AHBC, and AHEU) (2770 AHCS, AHCA, AHCU, AHCZ, AHCN, AHCR, AHCH and AHDU)	1
■ 62	78-8065-8484-9	SCREW, Shoulder, Fresnel	4
63	78-8065-8485-6	CUSHION	4
64A	78-8065-8545-7	POWER CORD, Italy, 10'	1
64B	78-8065-8225-6	POWER CORD, U.S.	1
64C	78-8065-8278-5	POWER CORD, Japan	1
64D	78-8065-8223-1	POWER CORD, European Standard	1
64E	78-8065-8221-5	POWER CORD, Australia	1
64F	78-8065-8222-3	POWER CORD, U.K.	1
64G	78-8065-8220-7	POWER CORD, Switzerland	1
64H	78-8065-8280-1	POWER CORD ASSEMBLY, S. Africa	1
64J	78-8065-8559-8	POWER CORD, 2 BLADE W/Ground, 10'	1
65	78-6969-7986-9	RESISTOR KIT, 127V	1
66	78-8065-8261-1	POST AND CLUTCH ASSEMBLY (includes items 9 and 10)	1
■ 67A	78-8065-8362-7	TRAVEL COVER	1
■ 67B	78-8065-8510-1	TRAVEL COVER (Xerox)	1

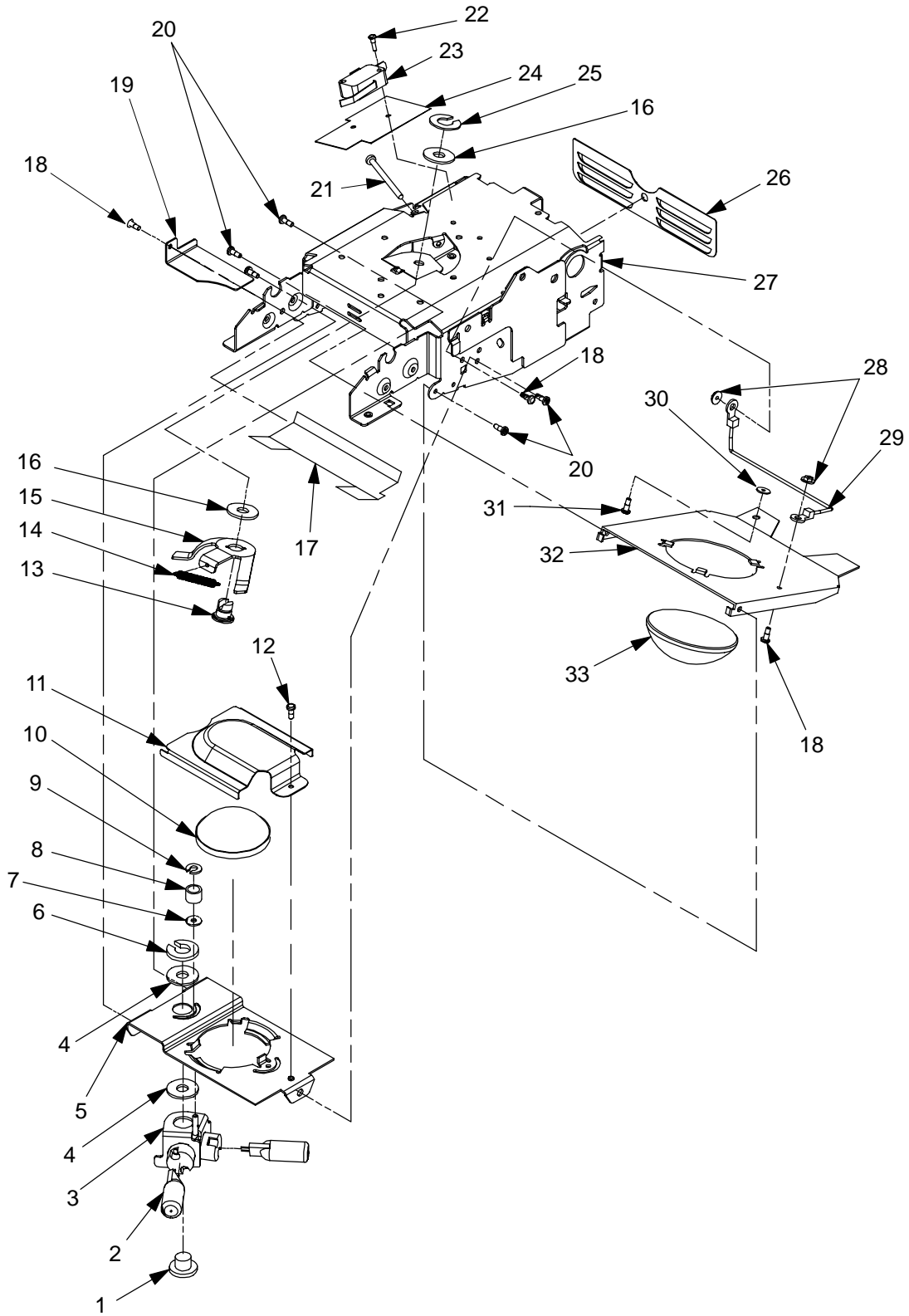
Section 2
HEAD ASSEMBLY

Item No.	Part Number	Description	Qty
1A	78-8065-8550-7	LABEL, Lamp Data – FSX (220V)	1
1B	78-8065-8527-5	LABEL, Lamp Data – Xerox	1
1C	78-8065-8495-5	LABEL, Lamp Data – FSX (230V)	1
1D	78-8065-8491-4	LABEL, Lamp Data – Japan	1
1E	78-8065-8419-5	LABEL, Lamp Data – ENX	1
1F	78-8065-8375-9	LABEL, Lamp Repl, FNT	1
1G	78-8065-8377-5	LABEL, Lamp Repl, FSY	1
2	26-1002-4971-8	SCREW, Plastite, 6–19 X 1/2	2
3	78-8065-8342-9	MOUNT, Varifocal	1
4A	78-8065-8235-5	MOTOR, 100V (2770 ABBJ)	1
4B	78-8065-8236-3	MOTOR, 120V (2770 ABJ, AABD and AABT)	1
4C	78-8065-8440-1	MOTOR, FSX/FSY, 230V (2770 AHCS, AHCA, AHCU, AH CZ, AHCN, AHCR, AHCH and AHDU)	1
4D	78-8065-8503-6	MOTOR, FNT, Long Lead, 230V (2770 AHBS, AHBA, AHBU, AHBZ, AHBN, AHBR, AHBH, AHBK, AHXS, AHXZ, AHXU, AHBC and AHEU)	1
5A	78-8065-8400-5	BLADE, Fan, CW, .181 Bore (All versions except 2770 AHCS, AHCA, AHCU, AH CZ, AHCN, AHCR, AHCH and AHDU)	1
5B	78-8065-8441-9	BLADE, Fan, CCW, .181 Bore (2770 AHCS, AHCA, AHCU, AH CZ, AHCN, AHCR, AHCH and AHDU)	1
6A	78-8065-8160-5	CHASSIS	1
6B	78-8065-8230-6	CHASSIS, Singlet	1
7	26-1002-5749-7	SCREW, Plastite, M3.2 X 10	1
8	26-1008-5598-5	SCREW, Machine, M3.5 X 10	2
9	78-8065-8213-2	RETAINER, Mirror	1
10	26-1002-5258-9	SCREW, Machine, 4–40 X 5/16	1
11	JV-0890-0185-1	LABEL, Caution (Japan)	1
12	26-1001-7987-3	WASHER, Lock, #6, External Tooth	1
13	26-1008-5131-5	SCREW, Machine, 10–32 X 3/8	1
14	26-1004-2053-3	WASHER, Lock, #8, Internal/External Tooth	1
15	26-1002-5344-7	SCREW, Machine, 6–32 X 5/16	1
16	26-1004-0696-1	NUT, Machine Hex, 4–40	1
17A	78-8065-8406-2	THERMOSTAT, Overheat, 300°F, ENX (2770 AJB, ABBJ, AABD and AABT)	1
17B	78-8065-8439-3	THERMOSTAT, Overheat (2770 AHCS, AHCA, AHCU, AH CZ, AHCN, AHCR, AHCH and AHDU)	1
17C	78-8065-8365-0	THERMOSTAT, Overheat, 200°F (2770 AHBS, AHBA, AHBU, AHBZ, AHBN, AHBR, AHBH, AHBK, AHXZ, AHXU, AHBC and AHEU)	1
18	78-8065-8344-5	PLUG, Focus Knob	1
19	78-8065-8343-7	PLUG, Changer Knob (All single lamp versions)	1
20	78-8065-8119-1	KNOB, Lampchanger (All dual lamp versions)	1
21	78-8065-8492-2	LABEL, Caution (Japan)	1
22A	78-8065-8340-3	SHROUD ASSEMBLY, Upper (All dual lamp versions except Xerox)	1
22B	78-8065-8511-9	SHROUD, Upper (Xerox)	1
22C	78-8065-8453-4	SHROUD ASSEMBLY, Upper, Modified (All single lamp versions)	1
23	78-8065-8558-0	SHIELD, Tape, Dual, ENX	1
24	78-8065-8186-0	SPRING, Cam Latch	1
25	26-1009-3941-7	WASHER, Wave, 0.531 ID X 0.781 OD X 0.115–0.135	1
26	Not Used		
27	78-8000-8072-9	BUSHING	1

**Section 2
HEAD ASSEMBLY (Continued)**

Item No.	Part Number	Description	Qty
28	78-8065-8478-1	MIRROR DRIVE KIT	1
29	78-8065-8315-5	MIRROR, Imaging	1
30	Not Used		
31	78-8065-8112-6	PIVOT, Post, Upper	1
32	26-1003-6664-5	RING, Retaining, Radial E-Ring, 0.375 SPT	1
33	26-1008-5129-9	WASHER, Plain, #6	1
34	78-8065-8114-2	KNOB, Folding	1
35	78-8656-4001-1	RING, Retaining, E-Ring	1
36	78-8065-8113-4	PIN, Link, Upper	1
37	78-8065-8103-5	CAM, Latching, Upper	1
38	78-8656-3997-1	RING, Retaining, Bowed E-Ring	1
39	78-8065-8115-9	PIVOT, Cam, Latching	1
40	78-8065-8454-2	UPPER SHROUD ASSEMBLY KIT (Single) (Includes items 19, 22, 23)	1
41	78-8065-8473-2	UPPER SHROUD KIT (Modified) (Includes items 22 and 23)	1
42	Not Used		
43	26-1007-2397-7	NUT, Keps, M4 X 0.7	1
44	78-8073-3296-6	LENS, Varifocal	1
45	26-1002-4947-8	SCREW, Plastite, 6-19 X 1/4	1
46	26-1004-4542-3	SCREW, Plastite, 2-28 X 3/8	2
47	78-8065-8457-5	SHIELD, Light, Varifocal	1
48	26-1008-5592-8	SCREW, Taptite, M3.5 X 8	2
49A	78-8065-8379-1	LABEL, Caution (Lampchanger, FNT)	1
49B	78-8065-8380-9	LABEL, Caution (Lampchanger, ENX/EPW)	1
49C	78-8065-8381-7	LABEL, Caution (Lampchanger, FSX/FSY)	1
50	78-8065-8476-5	LABEL, Caution, FSX/FSY	1
51	78-8065-8341-1	SHROUD, Lower	1

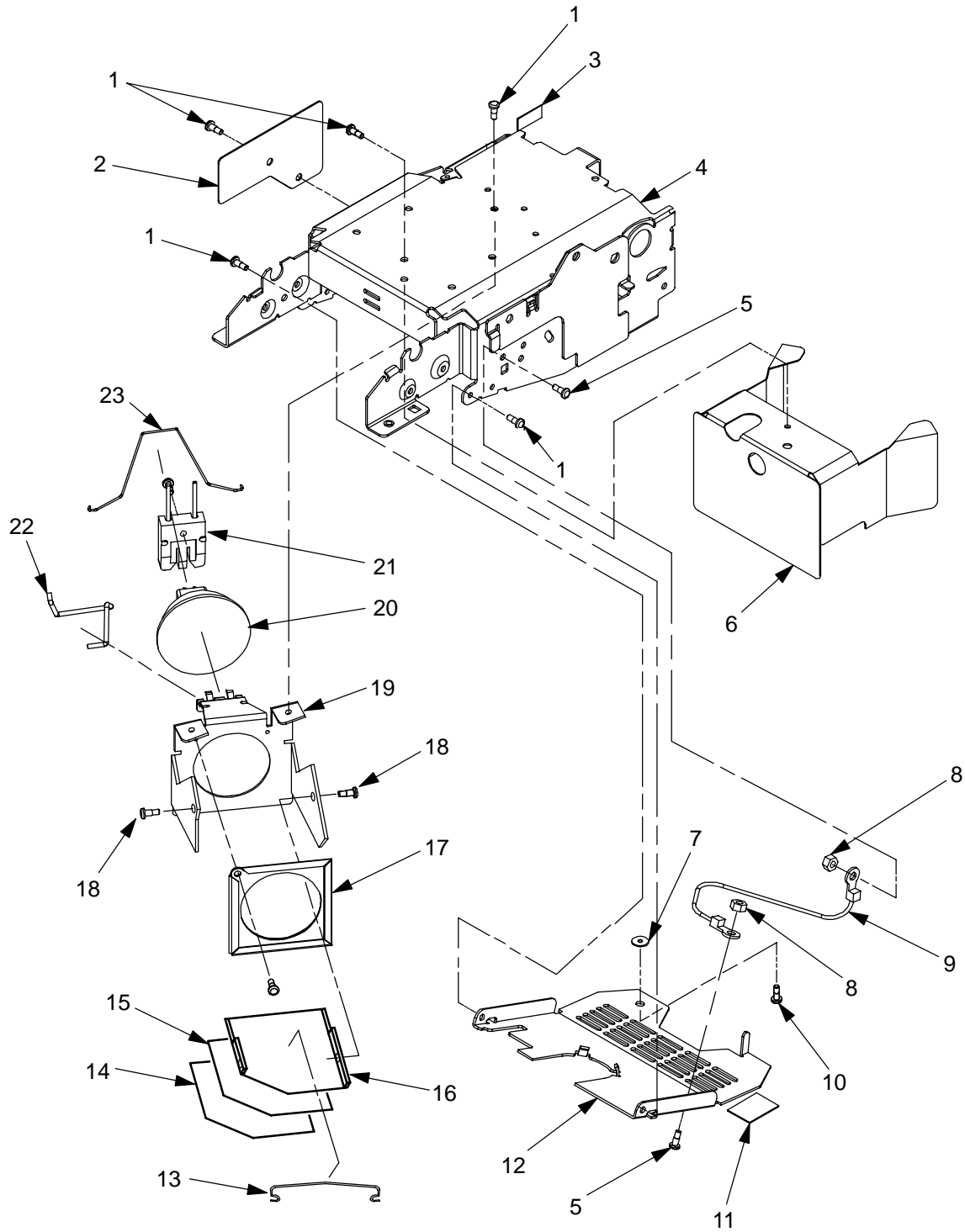
Section 3
FNT DUAL LAMP ASSEMBLY



Section 3
FNT DUAL LAMP ASSEMBLY

Item No.	Part Number	Description	Qty
1	78-8161-4222-4	BEARING, Plain, 0.312	1
2	78-8099-9035-7	LAMP, Projection, FNT, 275W, 24V	2
3	78-8065-8227-2	SOCKET ASSEMBLY, Dual, FNT	1
4	78-8065-8399-9	WASHER, FNT	2
5	78-8065-8135-7	HOLDER, Reflector, FNT	1
6	26-1000-0538-3	RING, Retaining	1
7	12-7991-1735-8	WASHER, Plain, #4	1
8	78-8065-8396-5	ROLLER, Lampchanger	1
9	78-8656-4085-4	RING, Retaining, 0.125 SFT D X 0.120 RD X 0.025 TH	1
10	78-8054-1073-1	REFLECTOR, Glass	1
11	78-8065-8218-1	SHIELD, Lampchanger, FNT	1
12	26-1004-9300-1	SCREW, Taptite, M3 X 6	1
13	78-8065-8596-0	PIVOT, Mirror	1
14	78-8065-8455-9	SPRING, Lamp Return, FNT	1
15	78-8065-8395-7	FORK, Lampchanger, FNT	1
16	78-8065-8215-7	WASHER, Upper	2
17	78-8065-8504-4	SHIELD, Light, FNT	1
18	26-1002-3977-6	SCREW, Machine, M3 X 8	3
19	78-8065-8411-2	SHIELD, Lamp , FNT	1
20	26-1008-5592-8	SCREW, Pan Head, Taptite, M3.5 X 8	5
21	78-8065-8470-8	ROD, Actuator Switch	1
22	26-1002-5042-7	SCREW, Taptite, 4-40 X 5/8	2
23	78-8064-1570-5	SWITCH, Lampchanger	1
24	78-8065-8359-3	INSULATOR, Switch, 2770	1
25	78-8656-3993-0	RING, Retaining, E-Ring	1
26	78-8065-8466-6	SHIELD, Light, Rear, FNT	1
27	78-8065-8160-5	CHASSIS	1
28	26-1005-5214-5	NUT, Keps, M3	2
29	78-8065-8232-2	WIRE, Ground	1
30	78-8003-8593-8	RING, Retaining	1
31	78-8057-4091-3	SCREW, Access	1
32	78-8073-7067-7	HOLDER, Condenser, FNT	1
33	78-8065-8599-4	LENS, Condenser	1

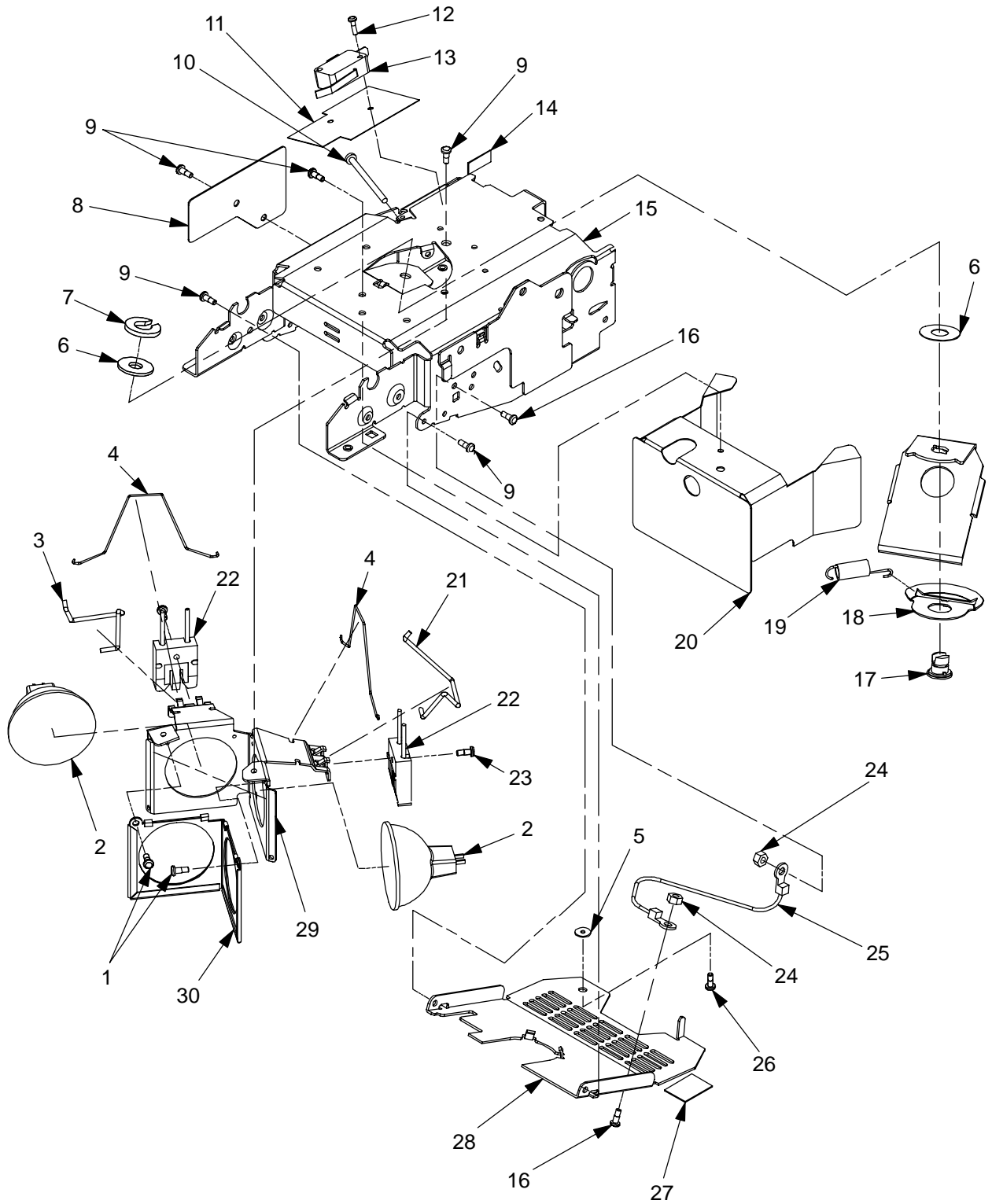
Section 4
ENX SINGLE LAMP ASSEMBLY



**Section 4
ENX SINGLE LAMP ASSEMBLY**

Item No.	Part Number	Description	Qty
1	26-1008-5592-8	SCREW, Pan Head, M3.5 X 8, Bzn	5
2	78-8065-8358-5	SHIELD, ENX	1
3	26-1005-6802-6	HOUSING, Receptacle	1
4	78-8065-8230-6	CHASSIS, Single	1
5	26-1002-3977-6	SCREW, Machine, M3 X 8	2
6	78-8065-8355-1	SHIELD, Top, ENX	1
7	78-8003-8593-8	RING, Retaining	1
8	26-1005-5214-5	NUT, Keps, M3	2
9	78-8065-8232-2	WIRE, Ground	1
10	78-8057-4091-3	SCREW, Access	1
11	78-8065-8418-7	LABEL, Caution, Hot	1
12	78-8065-8102-7	COVER, Lamp, ENX	1
13	78-8065-8461-7	CLIP, Mirror, Single, ENX	1
14	78-8065-8110-0	MIRROR, Single, ENX	1
15	78-8065-8211-6	ADHESIVE, Mirror	1
16	78-8065-8105-0	HEATSINK, Mirror	1
17	78-8065-8255-3	SHIELD, Lamp, Single, ENX	1
18	26-1008-5595-1	SCREW, M3.5 X 6	2
19	78-8065-8104-3	LAMP MOUNT	1
20A	78-8099-9032-4	LAMP, Projection, EPW, 360W, 100V (2770 ABBJ)	1
20B	78-8099-9031-6	LAMP, Projection, EPW, 360W, 82V (2770 ABJ, AABD and AABT)	1
21	78-8065-8352-8	SOCKET, Lamp, ENX	1
22	78-8065-8193-6	EJECTOR, Lamp	1
23	78-8064-1510-1	SPRING, Lamp, Retaining	1

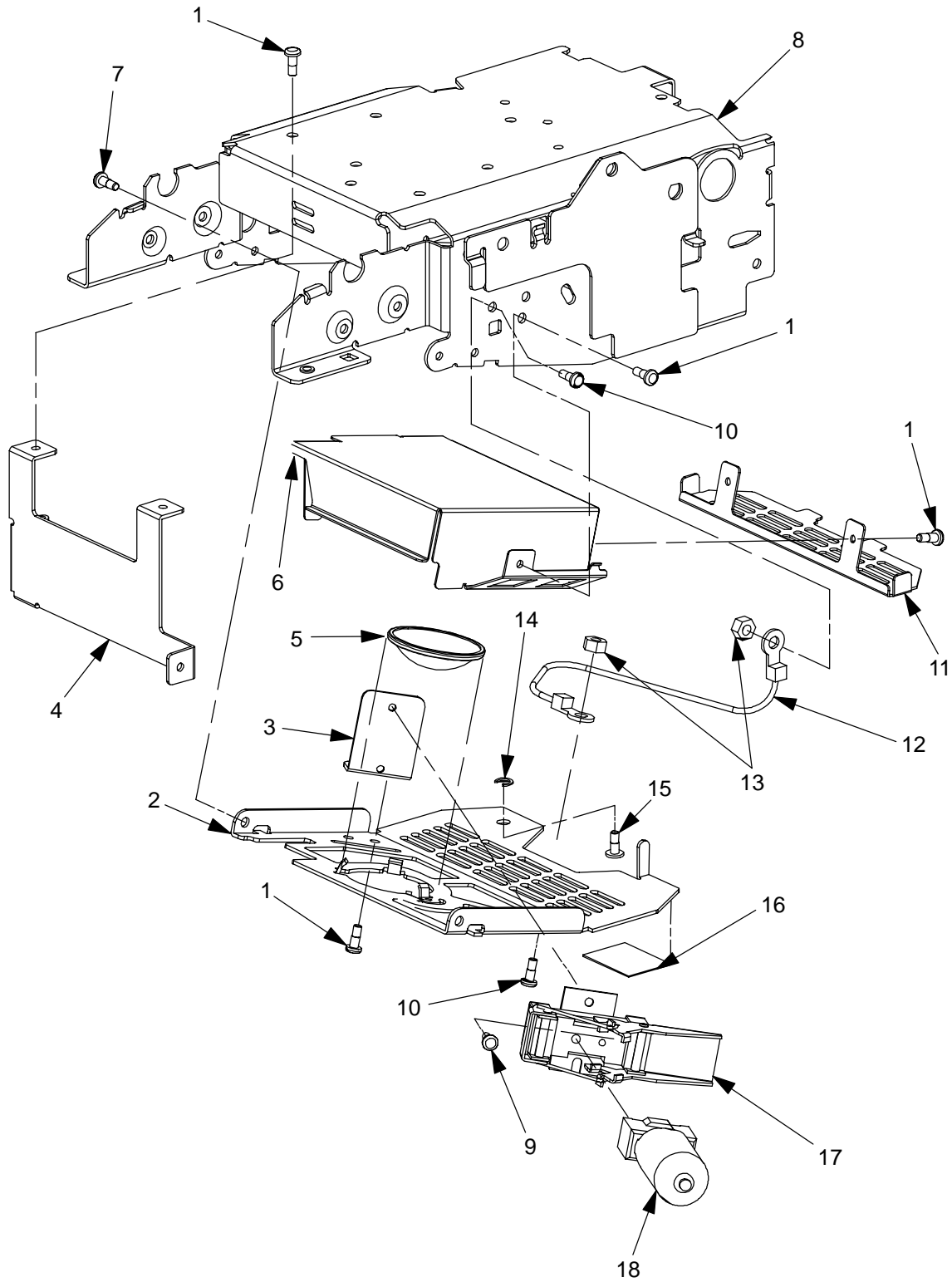
Section 5
ENX DUAL LAMP ASSEMBLY



Section 5
ENX DUAL LAMP ASSEMBLY

Item No.	Part Number	Description	Qty
1	26-1008-5596-9	SCREW, Taptite, M3 X 6	2
2A	78-8099-9032-4	LAMP, Projection, EPW, 360W, 100V (2770 ABBJ)	2
2B	78-8099-9031-6	LAMP, Projection, EPW, 360W, 82V (2770 ABJ, AABD and AABT)	2
3	78-8065-8193-6	EJECTOR, Lamp, Left Hand	1
4	78-8064-1510-1	SPRING, Lamp, Retaining	2
5	78-8003-8593-8	RING, Retaining	1
6	78-8065-8215-7	WASHER, Upper	2
7	78-8656-3993-0	RING, Retaining, E-Ring	1
8	78-8065-8358-5	SHIELD, Dual, ENX	1
9	26-1008-5592-8	SCREW, Pan Head, M3.5 X 8, Bzn	5
10	78-8065-8470-8	ROD, Actuator, Switch	1
11	78-8065-8359-3	INSULATOR, Switch, 2770	1
12	26-1002-5042-7	SCREW, Taptite, 4-40 X 5/8	2
13	78-8064-1570-5	SWITCH, Lampchanger	1
14	26-1005-6802-6	HOUSING, Receptacle	1
15	78-8065-8160-5	CHASSIS	1
16	26-1002-3977-6	SCREW, Machine, M3 X 8	2
17	78-8065-8596-0	PIVOT, Mirror	1
18	78-8065-8597-8	SHIELD, Heat, ENX	1
19	78-8065-8208-2	SPRING, Holder, Mirror	1
20	78-8065-8355-1	SHIELD, Top, ENX	1
21	78-8065-8192-8	EJECTOR, Lamp, Right Hand	1
22	78-8065-8352-8	SOCKET, Lamp, Dual, ENX	2
23	26-1002-6208-3	SCREW, Taptite, M3 X 16	2
24	26-1005-5214-5	NUT, Keps, M3	2
25	78-8065-8232-2	WIRE, Ground	1
26	78-8057-4091-3	SCREW, Access	1
27	78-8065-8418-7	LABEL, Caution, Hot	1
28	78-8065-8102-7	COVER, Lamp, ENX	1
29	78-8065-8161-3	LAMP HOLDER, Dual, ENX	1
30	78-8065-8251-2	SHIELD, Lamp, Dual, ENX	1

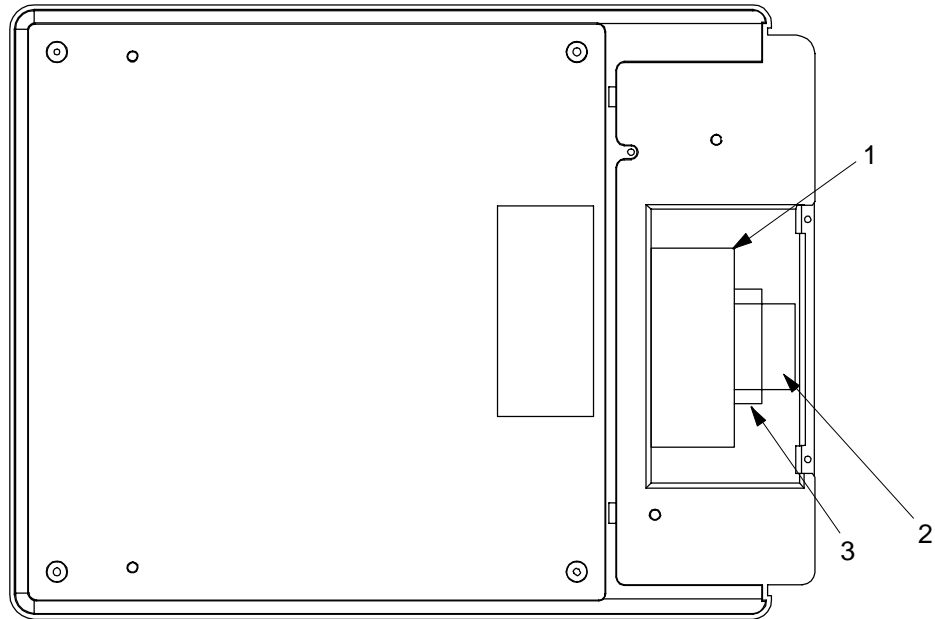
Section 6
FSX/FSY SINGLE LAMP ASSEMBLY



**Section 6
FSX/FSY SINGLE LAMP ASSEMBLY**

Item No.	Part Number	Description	Qty
■ 1	26-1004-9300-1	SCREW, Taptite, M3 X 6	8
2	78-8065-8452-6	HOLDER, Condenser, FSX	1
3	78-8065-8490-6	MOUNT, Socket, FSX	1
4	78-8065-8450-0	BRACKET, Gear Mount	1
5	78-8012-7827-2	LENS, Condenser	1
6	78-8065-8451-8	SHIELD, Heat, FSX	1
7	26-1008-5592-8	SCREW, Taptite, M3.5 X 8	2
8	78-8065-8230-6	CHASSIS, Singlet	1
■ 9	26-1000-4555-3	SCREW, Taptite, M3 X 4	1
10	26-1002-3977-6	SCREW, Machine, M3 X 8	2
11	78-8065-8371-8	SHIELD, Fan	1
12	78-8065-8232-2	WIRE, Ground	1
13	26-1005-5214-5	NUT, Keps, M3	2
14	78-8003-8593-8	RING, Retaining	1
15	78-8057-4091-3	SCREW, Access	1
16	78-8065-8392-4	LABEL, Caution	1
17	78-8065-8257-9	SOCKET, Lamp, Left Hand	1
■ 18A	78-8099-9036-5	LAMP, Projection, FSX, 400W, 230V (2770 AHCS and AHCZ)	1
18B	78-8099-9037-3	LAMP, Projection, FSY, 400W, 240V (2770 AHCA, AHCU, AHCN, AHCR and AHDU)	1
■ 18C	78-8099-9041-5	LAMP, Projection, FSX, 400W, 220V (2770 AHCH)	1

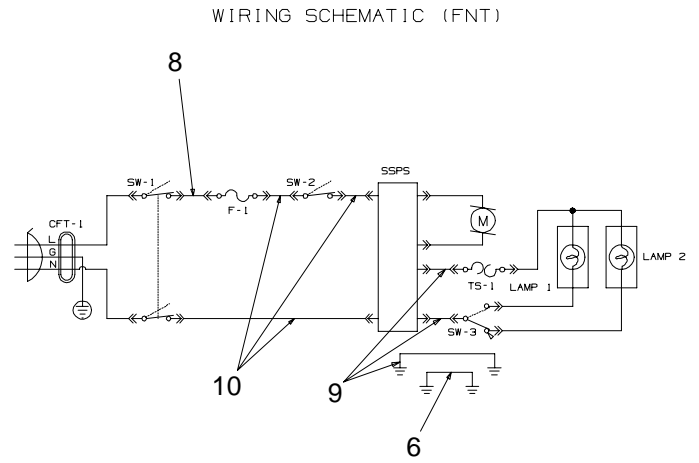
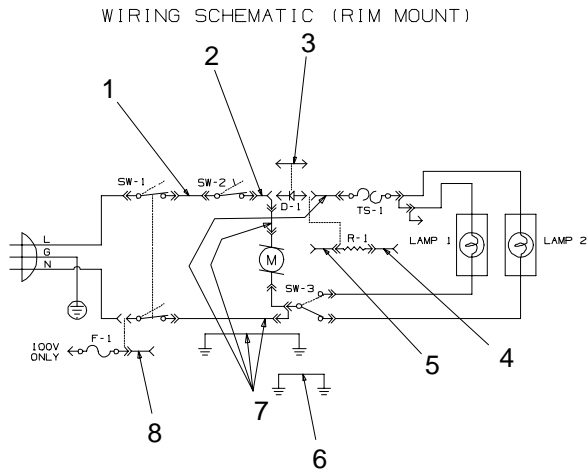
Section 7
BASE LABELS



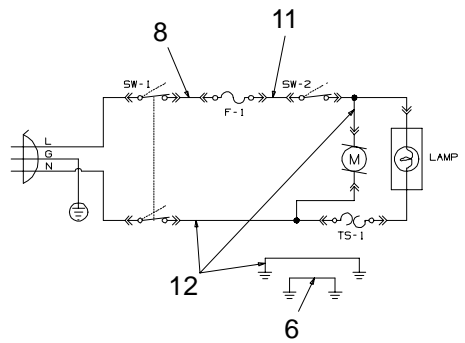
**Section 7
BASE LABELS**

Item No.	Part Number	Description	Qty
1A	78-8006-8611-1	DATA NAMEPLATE	1
1B	78-8065-8526-7	DATA NAMEPLATE, (Xerox) 230V (2770 AHXS and AHXZ)	1
1C	78-8065-8531-7	DATA NAMEPLATE, (Xerox) 240V (2770 AHXU)	1
2A	78-8073-3292-5	LABEL, SERVICE, (New Zealand)	1
2B	78-8079-9201-7	LABEL, SERVICE, (Australia)	1
3	78-8064-1809-7	LABEL, CAUTION, (Australia)	1

Section 8
WIRE JUMPERS



WIRING SCHEMATIC (FSX/FSY)



**Section 8
WIRE JUMPERS**

Item No.	Part Number	Description	Qty
1	78-8065-8273-6	WIRE, Lead, Power Supply, Kill Switch	AR
2	78-8065-8403-9	WIRE, Lead, Kill Switch, Diode	AR
3	78-8065-8398-1	SPLICE, Single Lamp	AR
4	78-8065-8479-9	WIRE, Lead, Diode	AR
5	78-8065-8480-7	LEAD ASSEMBLY, Resistor	AR
6	78-8065-8232-2	WIRE, Ground	AR
7	78-8065-8405-4	HARNESS, Wiring, Post, ENX	AR
8	78-8065-8269-4	WIRE, Lead, Switch, Fuse	AR
9	78-8065-8372-6	HARNESS, Wiring	AR
10	78-8065-8397-3	HARNESS, Wire, Lamp, FNT	AR
11	78-8065-8268-6	WIRE, Lead, Fuse, Kill Switch	AR
12	78-8065-8404-7	HARNESS, Wiring, FSX	AR

**Appendix A
SPECIFICATIONS**

Model Description	Power Cord	Model Alpha	Stock Number	Voltage	Agency	Stage Size	Head Type	Lampchanger	Color Tuning	Post Type	Lamp Type	Handle	Lamp Control	Lamps Installed	Fresnel	Power	Fuse	Cord Storage
2770 Overhead Projector	Australian	2770 AHBA	78-9236-5300-6	240V 50 Hz	SAA	A4	Varifocal	Yes	None	Folding	FNT	Yes	None	2	2770V RF A4	SSPS		
2770 Overhead Projector	Australian	2770 AHCA	78-9236-5622-3	240V 50 Hz		A4	Varifocal	No	None	Folding	FSY	Yes	None	1	2770VF RF A4	Line		
2770 Overhead Projector	European	2770 AHBK	78-9236-5733-8	220V 60 Hz		A4	Varifocal	Yes	None	Folding	FNT	Yes	None	2	2770V RF A4	SSPS		Yes
2770 Overhead Projector	European	2770 AHBS	78-9236-5298-2	240V 50 Hz		A4	Varifocal	Yes	None	Folding	FNT	Yes	None	2	2770V RF A4	SSPS		
2770 Overhead Projector	European	2770 AHCS	78-9236-5621-5	230V 50 Hz	European	A4	Varifocal	No	None	Folding	FSX	Yes	None	1	2770VF RF A4	Line		
2770 Overhead Projector	European	2770 AHXS	78-9236-5736-1	230V 50 Hz	European	A4	Varifocal	Yes	None	Folding	FNT	Yes	None	2	2770V RF A4	SSPS		Yes
2770 Overhead Projector	Japan	2770 AABT	78-9236-5802-1	120V 60 Hz		10.5	Varifocal	Yes	None	Folding	ENX	Yes	None	2	2770V RF A4	Diode		Yes
2770 Overhead Projector	Japan	2770 ABBJ	78-9236-5296-6	100V 50/60 Hz	MITI	A4	Varifocal	Yes	None	Folding	EPW	Yes	None	2	2770V RF A4	Line		
2770 Overhead Projector	Japan	2770 ABCJ	78-9236-5630-6	100V 50/60 Hz	MITI	A4	Varifocal	No	None	Folding	ENX	Yes	None	1	2770VF RF A4	Line		
2770 Overhead Projector	Other	2770 AHBC	78-9236-5831-0	230V 50Hz		A4	Varifocal	No	None	Folding	FNT	Yes	None	2	2770V RF A4	Line		Yes
2770 Overhead Projector	Other	2770 AHBN	78-9236-5306-3	240V 50Hz		A4	Varifocal	Yes	None	Folding	FNT	Yes	None	2	2770V RF A4	SSPS		Yes
2770 Overhead Projector	Other	2770 AHCN	78-9236-5625-6	240V 50Hz		A4	Varifocal	No	None	Folding	FSY	Yes	None	1	2770VF RF A4	Line		
2770 Overhead Projector	South Africa	2770 AHBR	78-9236-5308-9	240V 50 Hz		A4	Varifocal	Yes	None	Folding	FNT	Yes	None	2	2770V RF A4	SSPS		
2770 Overhead Projector	South Africa	2770 AHCR	78-9236-5626-4	240V 50 Hz	SABS	A4	Varifocal	No	None	Folding	FSY	Yes	None	1	2770VF RF A4	Line		
2770 Overhead Projector	Swiss	2770 AHBZ	78-9236-5304-8	230V 50 Hz		A4	Varifocal	Yes	None	Folding	FNT	Yes	None	2	2770V RF A4	SSPS		
2770 Overhead Projector	Swiss	2770 AHCZ	78-9236-5624-9	230V 50 Hz	SEV	A4	Varifocal	No	None	Folding	FSX	Yes	None	1	2770VF RF A4	Line		
2770 Overhead Projector	Swiss	2770 AHXZ	78-9236-5737-9	230V 50 Hz	SEV	A4	Varifocal	Yes	None	Folding	FNT	Yes	None	2	2770V RF A4	SSPS		Yes
2770 Overhead Projector	U. K.	2770 AHBH	78-9236-5310-5	230V 50 Hz		A4	Varifocal	Yes	None	Folding	FNT	Yes	None	2	2770V RF A4	SSPS		
2770 Overhead Projector	U. K.	2770 AHBV	78-9236-5302-2	240V 50 Hz		A4	Varifocal	Yes	None	Folding	FNT	Yes	None	2	2770V RF A4	SSPS		
2770 Overhead Projector	U. K.	2770 AHCH	78-9236-5627-2	230V 50 Hz		A4	Varifocal	No	None	Folding	FSX	Yes	None	1	2770VF RF A4	Line		
2770 Overhead Projector	U. K.	2770 AHCU	78-9236-5623-1	240V 50 Hz	European	A4	Varifocal	No	None	Folding	FSY	Yes	None	1	2770VF RF A4	Line		
2770 Overhead Projector	U. K.	2770 AHDU	78-9236-6016-7	240V 50 Hz		A4	Varifocal	Yes	None	Folding	FNT	Yes	None	2	2770V RF A4	SSPS		
2770 Overhead Projector	U. K.	2770 AHEU	78-9236-6017-5	240V 50 Hz		A4	Varifocal	No	None	Folding	FNT	Yes	None	1	2770V RF A4	SSPS		
2770 Overhead Projector	U. K.	2770 AHXU	78-9236-5738-7	240V 50 Hz	European	A4	Varifocal	Yes	None	Folding	FNT	Yes	None	2	2770V RF A4	SSPS		Yes
2770 Overhead Projector	United States	2770 AABD	78-9236-5312-1	127V 60 Hz		10.5	Varifocal	Yes	None	Folding	ENX	Yes	None	2	2770V RF 10.5	Diode		
2770 Overhead Projector	United States	2770 AACD	78-9236-5778-3	127V 60 Hz		10.5	Varifocal	No	None	Folding	ENX	Yes	None	1	2770V RF 10.5	Diode	None	No
2770 Overhead Projector	United States	2770 AJB	78-9236-5294-1	120V 60 Hz	UL/CSA	10.5	Varifocal	Yes	None	Folding	ENX	Yes	None	2	2770V RF 10.5	Diode	None	Yes



Visual Systems

6801 River Place Boulevard
Austin, Texas 78726-9000

Printed in U.S.A.

©3M 3/00 78-6970-6988-4 Rev. D